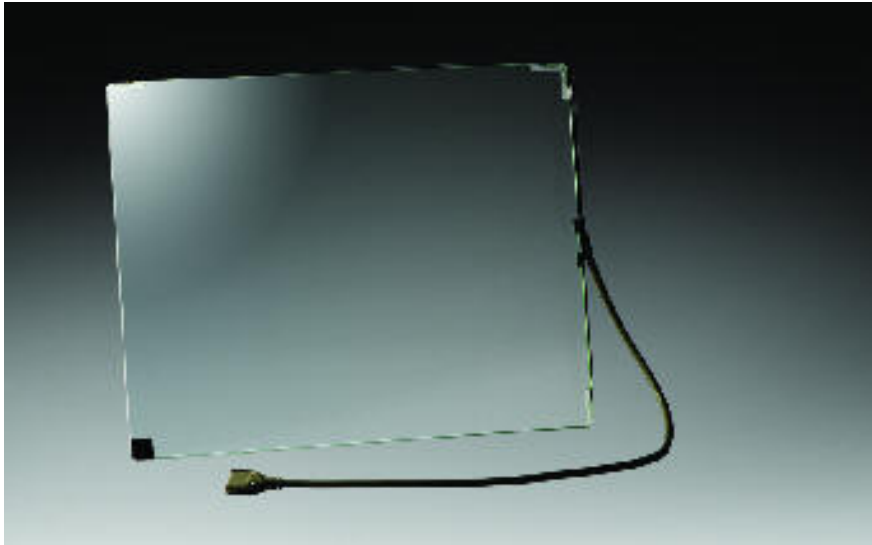


SCTL6B22SBR-086702 (With ST6001SU controller)

Touch System
Specifications
V1.0



Physical Parameter

| | | |
|-----------------------------|----------------------------|-----------|
| Touch screen Dimensions(mm) | External Dimensions | 520 × 343 |
| | Display Area | 478 × 300 |
| | Active Area | 474 × 296 |
| | Thickness | 6 |
| | Ratio(Length Vs Width) | 16: 9 |
| Controller Dimensions(mm) | 85(L) × 62(W) × 12(H) | |
| Material | Pure glass | |
| Light Transmission | ≥90% | |
| Surface Hardness | Mohs' hardness rating of 7 | |

Electrical Parameter

Supply Voltage and Current

- +12VDC, normal (+11V to +13VDC)
- 95mA, typical at +12VDC, Average power consumption is 1.2w , typical
- Supply must be capable of sourcing 200mA, minimum.
- Total noise and ripple requirement must be less than 50 mV (p-p) for frequencies above 1 MHz.

Interface

- EIA 232E (Serial RS-232), DCE configuration. 8 Data Bits, 1 Stop Bit, No Parity, Full Duplex. Baud rate: 9600
- USB1.1

Touch Resolution

- 4096 × 4096

Conversion Time

- Approximately 10.4 ms per coordinate set (including transmitting time)

Touch Activation Force

- Touch force less than 80g(adjust allowed)

Environment Parameter

- Operating Temperature: screen: -20°C ~ +50°C, controller: 0°C ~ +65°C
- Storage Temperature: screen: -40°C ~ +70°C, controller: -20°C ~ +85°C

Humidity

- Operating: 10% to 90%, non-condensing
- Storage: 10% to 90%, non-condensing

Operation Altitude

- 3000m

Reliability

- MTBF is greater than 300,000 hours per MIL-HDBK-217-F2 using the parts stress calculation method for ground benign environment with an ambient temperature of 25°C.

ESD

- Per EN 61000-4-2: Contact discharge 4kV, air discharge 8KV.

Flammability

- The printed circuit board substrate is rated with 94V0.

Agency Approval

- CE, FCC,UL

ROHS Declaration

- The touch system including ST6001SU controller, SCTL6B22SBR-086702 and connection thread SCCTS175C/ SCCTU175D/ SCCTI175C is ROHS compliant.

CONTROLLER

- Now the TouchScreen controllers of GeneralTouch company is ST6001SU.

Physical Characteristics

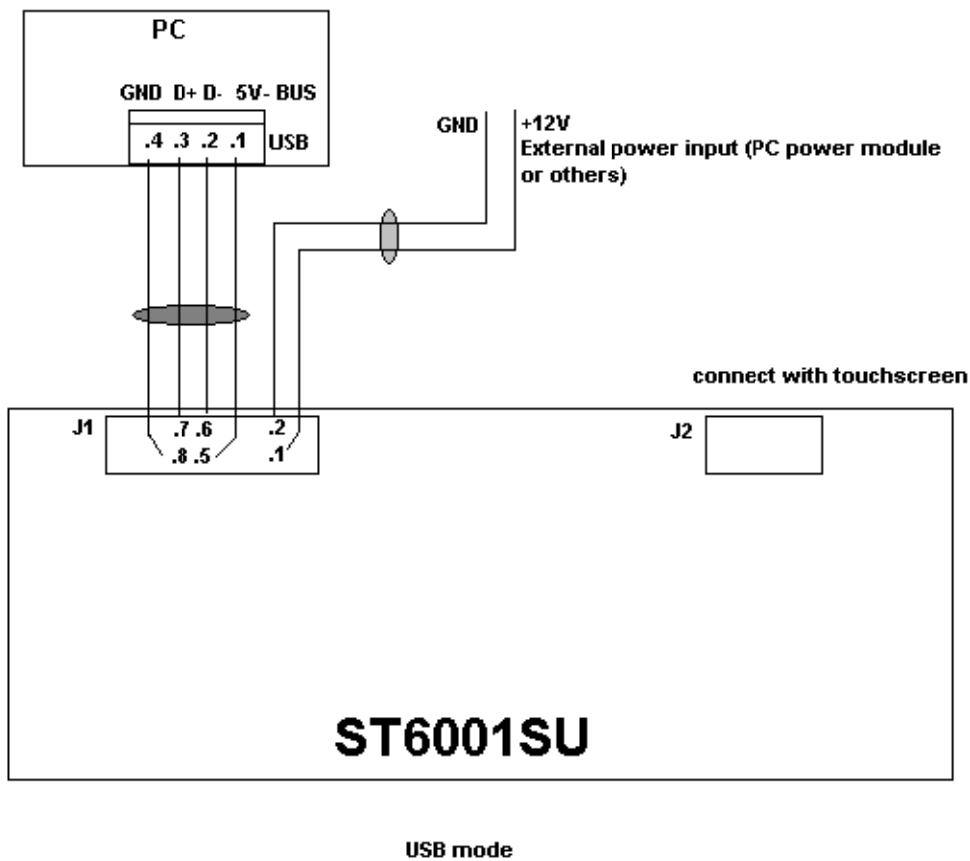
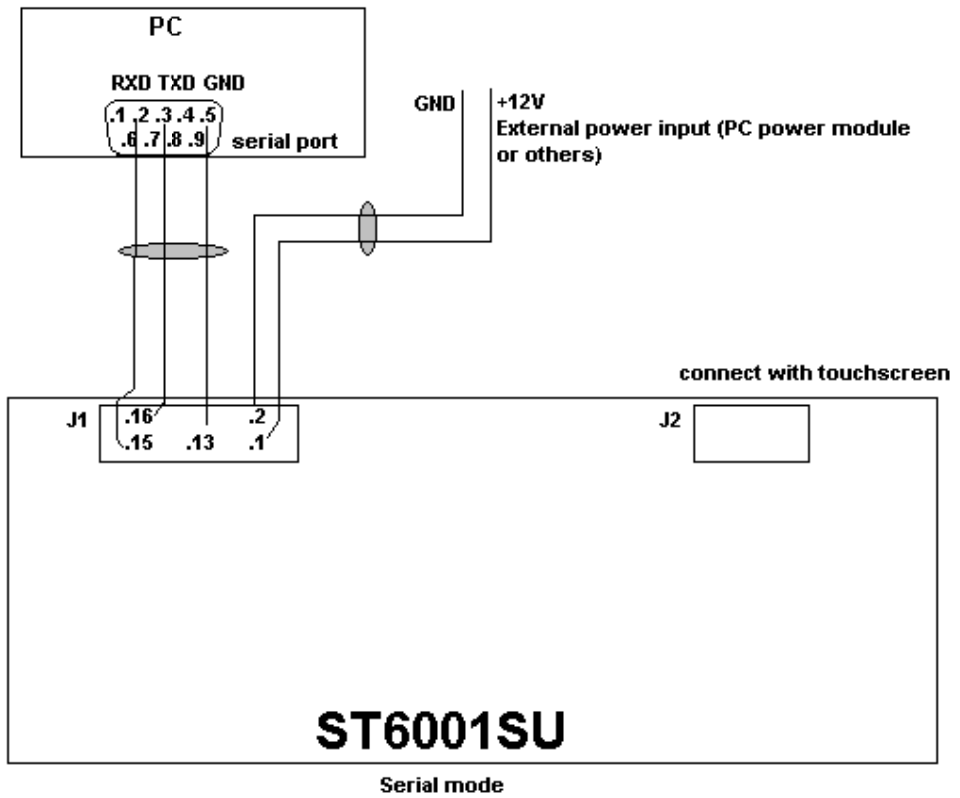
Construction

- Multi-layer surface-mount design with internal ground plane for EMI suppression.

Dimensions

- Total Width: 62mm
Total Length: 85 mm
Total height: 12mm (Including connectors)

Fig. 2: Communication configuration



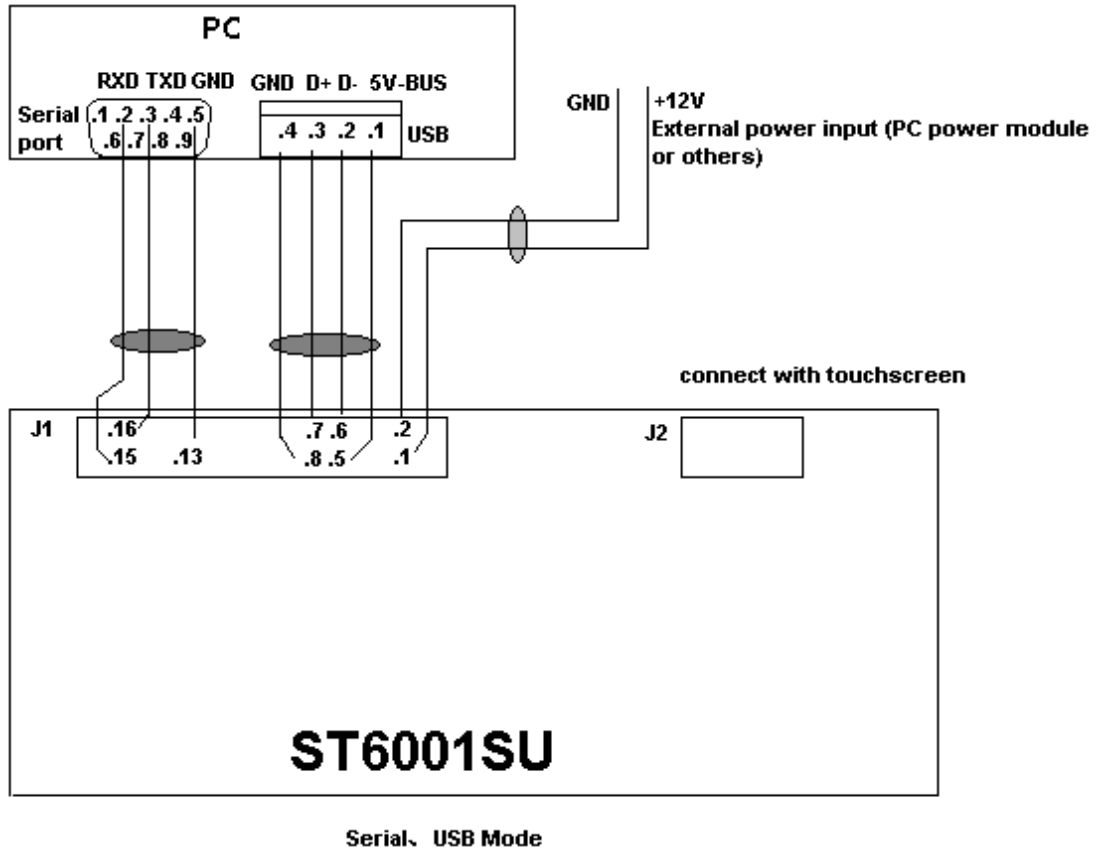
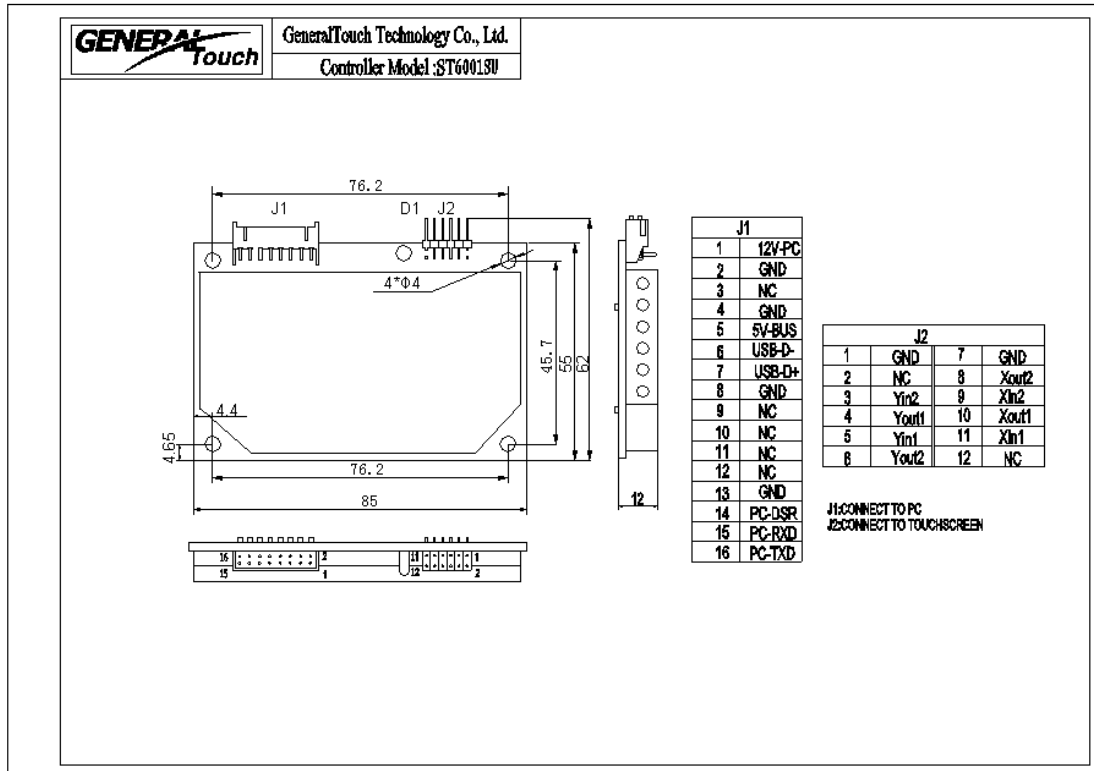


Fig. 3: Controller external dimensions



Operation platform

Windows98/ME

Windows 2000/XP

You can get these drivers in the driver CD, or download from our website:

www.generaltouch.com