

Bianchi Vending Group - Spare Parts
Catalog related to :

-  **Coffee Machines**
-  **BVM 952 - Free Standing**
 -  **BV952ES01GG - BVM952 E4S MC PD**

Summary

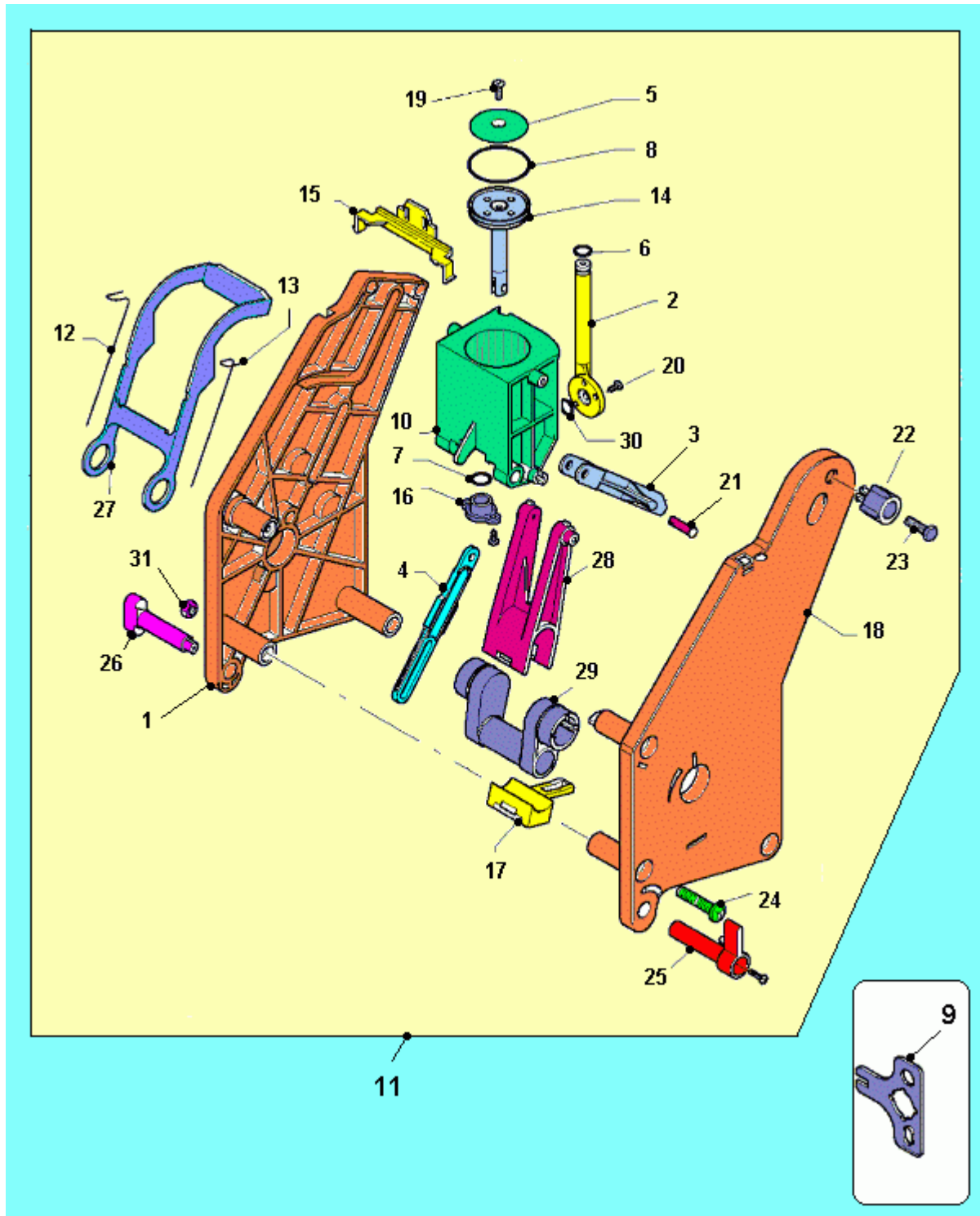
Coffee Machines BVM 952 - Free Standing BV952ES01GG - BVM952 E4S MC PD	1
Coffee Machines BVM 952 - Free Standing BV952ES01GG - BVM952 E4S MC PD ESPRESSO ASSEMBLY	2
PLASTIC COFFEE GROUP(1)	3
GRINDER WITH VERTICAL MOTOR(29)	5
COFFEE GROUP GEARMOTOR (483)	7
PISTON ASSEMBLY(761)	9
ESPRESSO BOILER ASSY W/INSTANT ELECTROVALVES (763)	11
BVM 952 DRAWER ASSY (760)	13
AMETEK GRINDER + DOSER ASSY (764)	15
GRINDER + DOSER ASSY SUPPORT - PRODUCT CANISTERS GEARMOTORS (765)	17
COFFEE BEANS CONTAINER (768)	19
Coffee Machines BVM 952 - Free Standing BV952ES01GG - BVM952 E4S MC PD INSTANT ASSEMBLY	21
MOTORS (401)	22
MIXERS COMPONENTS (762)	24
SUPPLEMENT PARTS (772)	26
CANISTER 2 WHEELS WITH EXTENSION 221 mm (774)	28
CANISTER 1 WHEEL WITH EXTENSION 221 mm (775)	30
CANISTER WITHOUT WHEEL WITH EXTENSION 221 mm (776)	32
Coffee Machines BVM 952 - Free Standing BV952ES01GG - BVM952 E4S MC PD HYDRAULIC COMPONENTS	34
24 V WATER PUMP - FLOW SENSO (617)	35
INLET WATER (767)	37
Coffee Machines BVM 952 - Free Standing BV952ES01GG - BVM952 E4S MC PD ELECTRICS & ELECTRONICS	39
MASTER ELECTRONIC BOARD (387)	40
ELECTRIC PANEL (759)	42
NEON AND ELECTRICAL PARTS (781)	44
MASTER BOARD - from serial number 07335378	46
Coffee Machines BVM 952 - Free Standing BV952ES01GG - BVM952 E4S MC PD PRODUCT DELIVERY	48
CUPS STATION (633)	49
SUGAR NOZZLES SUPPORT ASSY (766)	51
CUPS TURRET ASSY AND CUPS DISPENSER (769)	53
SPOON DISPENSER PARTS (770)	55
Coffee Machines BVM 952 - Free Standing BV952ES01GG - BVM952 E4S MC PD CABINET	57
CABINET AND PARTS (771)	58
CABINET SUPPLEMENT PARTS (779)	60
Coffee Machines BVM 952 - Free Standing BV952ES01GG - BVM952 E4S MC PD DOOR	62
LOCK (631)	63
COINS INTRODUCTION (647)	65
KEYPAD - DISPLAY (777)	67

DOOR EXTERNAL COMPONENTS (778)	69
DOOR INTERNAL COMPONENTS (780)	71
Other tables	73
VERTICAL GRINDER ASSEMBLY(30)	74
ESPRESSO BOILER COMPONENTS (599)	76
NOZZLES SUPPORT PARTS (603)	78
CUPS DISPENSER PARTS (628)	80
COFFEE DOSER ASSEMBLY (773)	82
AIR BREAK ASSY W/MICRO SW (784)	84

Tables of group :

-  **Coffee Machines**
 -  **BVM 952 - Free Standing**
 -  **BV952ES01GG - BVM952 E4S MC PD**
 -  **ESPRESSO ASSEMBLY**

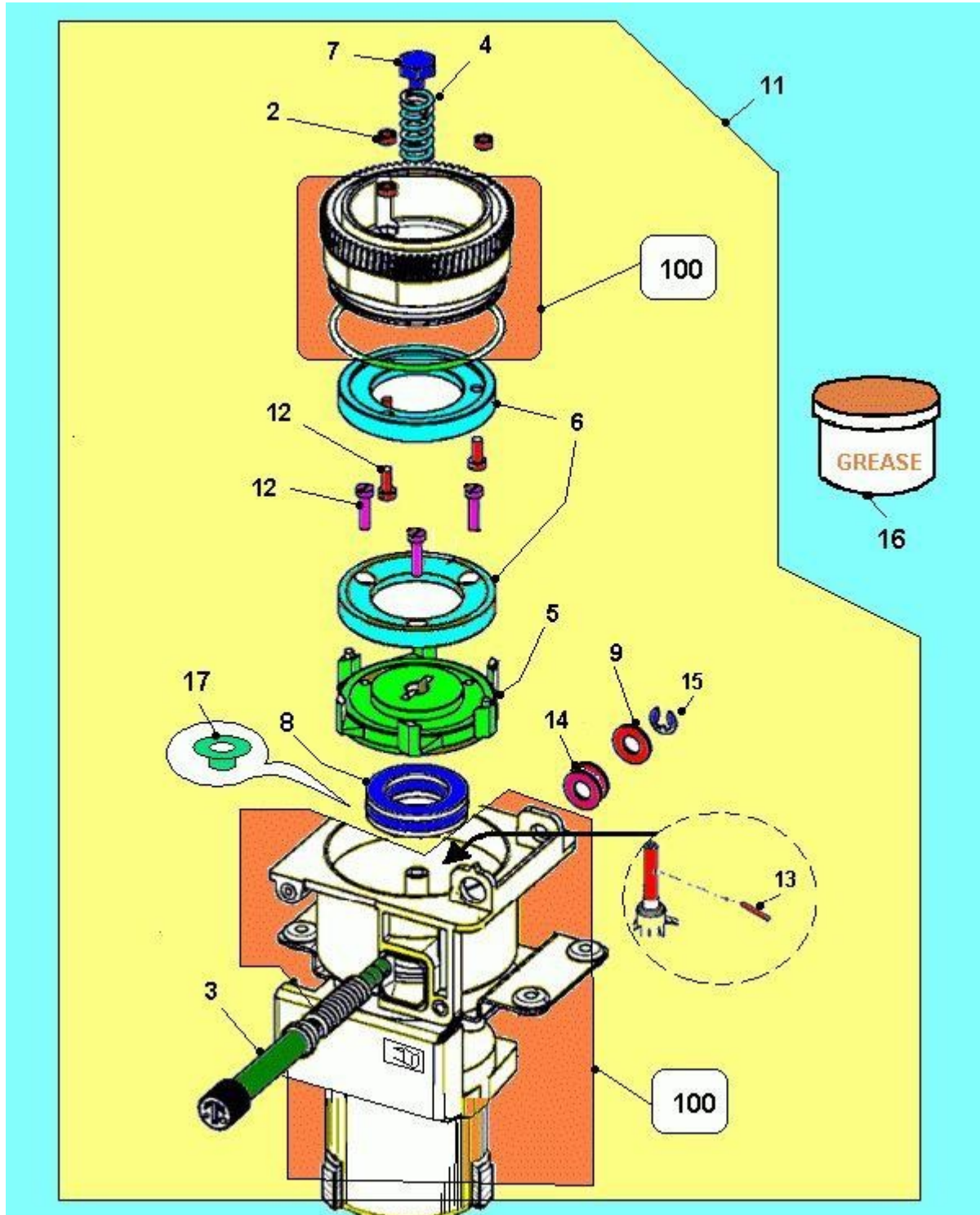
Table: PLASTIC COFFEE GROUP(1)



PLASTIC COFFEE GROUP(1) - Items detail

Position	SPARE PARTS CODE VARIANT	Accessories	DESCRIPTION	For each main item multiply q.ty by
1	05106415-01		rear shoulder	
2	05106815-01		tube for cup	
3	05148315		rod lifter	
4	05107415		drive rod	
5	16012021		coffee group filter	
6	36351316		o-ring for coffee group pipe	
7	36211916		OR 2037 gasket	
8	36206316		Oring 2112 Viton	
9	01475411		Coffee group rotation key	
10	05106615-01		cup	
11	95007420-01		plastic coffee group assy	
12	07017911		right spatula spring	
13	07017921		left spatula spring	
14	05161215		waste coffee eject rod	
15	05133515		spacer for group sides	
16	05106715		bush cup	
17	05107215		bracket	
18	05106515-01		front shoulder	
19	32035236		TSP 3MAX16 IX screw	
20	32222827		Blunt self-threaded screw 2,9x	
21	05107515		rivet	
22	05109515		konb	
23	32090636		TE 5MAX18 screw	
24	32060936		TC 4MAX20 screw	
25	05107815		locking lever	
26	05107915		locking rod	
27	05107015		spatula	
28	05107115		connecting rod	
29	05107615		crank	
30	36210916		OR2021 gasket	
31	34110316		Self-locking nut 5MA	

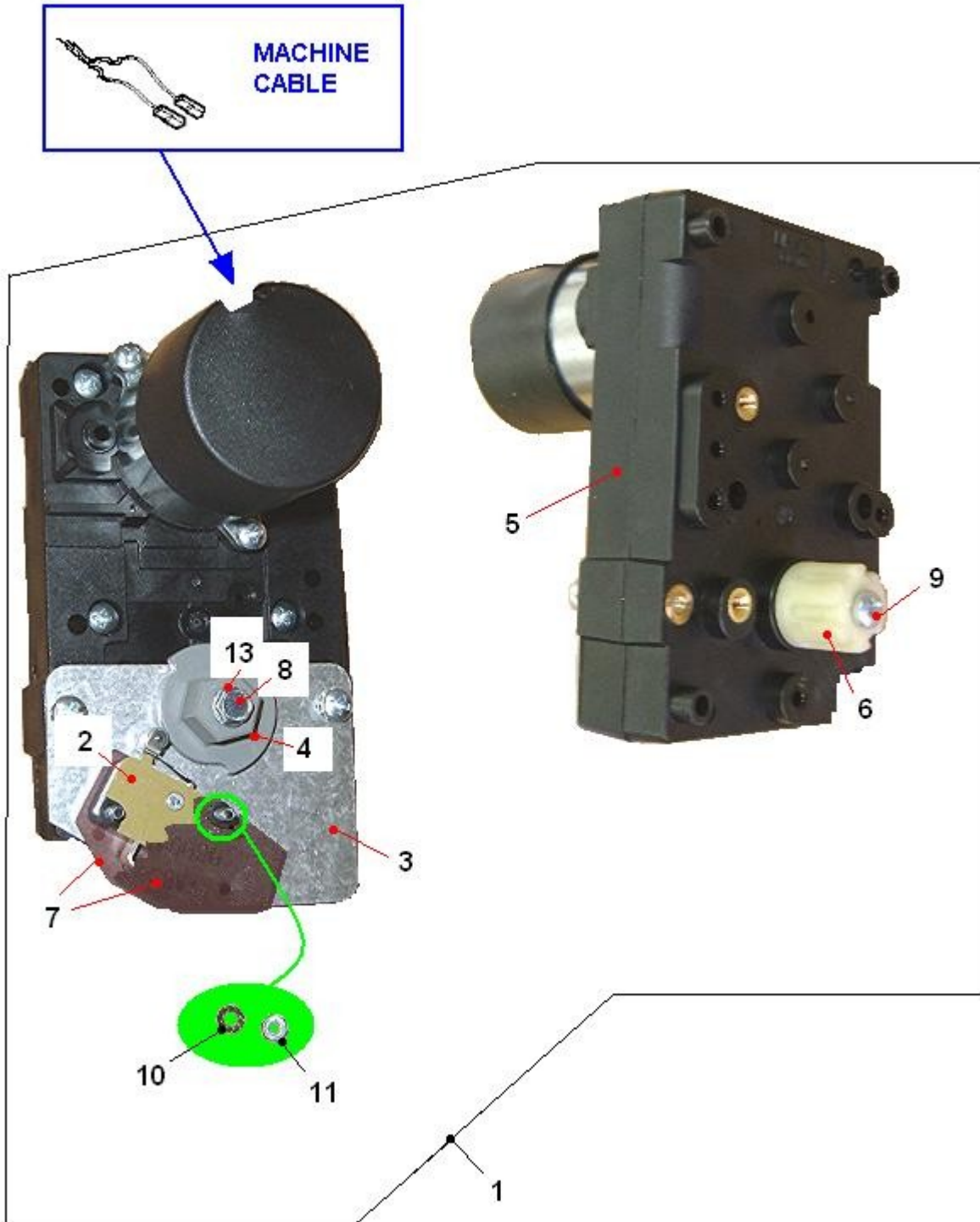
Table: GRINDER WITH VERTICAL MOTOR(29)



GRINDER WITH VERTICAL MOTOR(29) - Items detail

Position	SPARE PARTS CODE VARIANT	Accessories	DESCRIPTION	For each main item multiply q.ty by
2	34102816		4MA hex nut	
3	05134715		grinder adjustment screw	
4	07020411		grinder holder spring	
5	13008211-01		mobile blade support	
6	18007316-01		D=64 grinder blade	
7	19059021		screw for ametek spring	
8	19059216		bearing	
9	35155516		washer	
11	86001310-01		ametek grinder assy	
12	32060516		4MAx10 screw	
13	12017411		wire D30x30	
14	23004086		cable damper(6*15 - rubber)	
15	37001116		Ø 6 seeger ring	
16	43028311		40g food grease	
17	19060411		bush with washer	
100	See Table "VERTICAL GRINDER ASSEMBLY(30)" - Pag. 74			

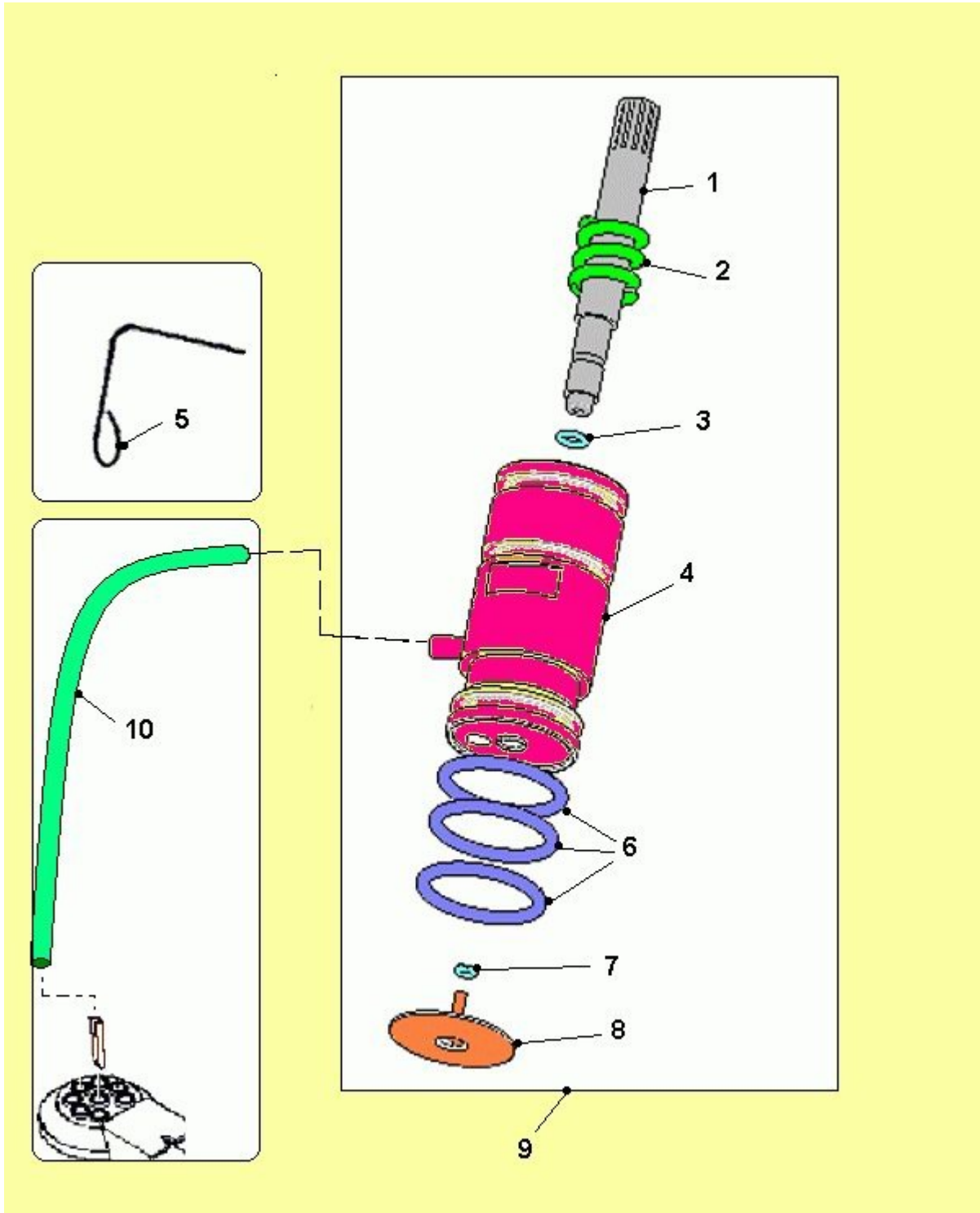
Table: COFFEE GROUP GEARMOTOR (483)



COFFEE GROUP GEARMOTOR (483) - Items detail

Position	SPARE PARTS CODE VARIANT	Accessories	DESCRIPTION	For each main item multiply q.ty by
1	20016810-03		Motor assy w/24V cable coffee	
2	26005126		microswitch with wheel	
3	01484212		bracket for micro	
4	05110915M37		Brown rotating group cam	
5	20014946-02		24VDC12rpm cof.group gearmotor	
6	41081216		PLASTIC JOINT COFFE GROUP	
7	08004111		microswitch insulation	
8	32050516		screw 4 MAX10	
9	32061016		4M x 25 screw	
10	35160216		self-locking diam.3.2	
11	34102716		M3 hexagonal nut	
13	35160316		d. 4,2 IX self locking washer	

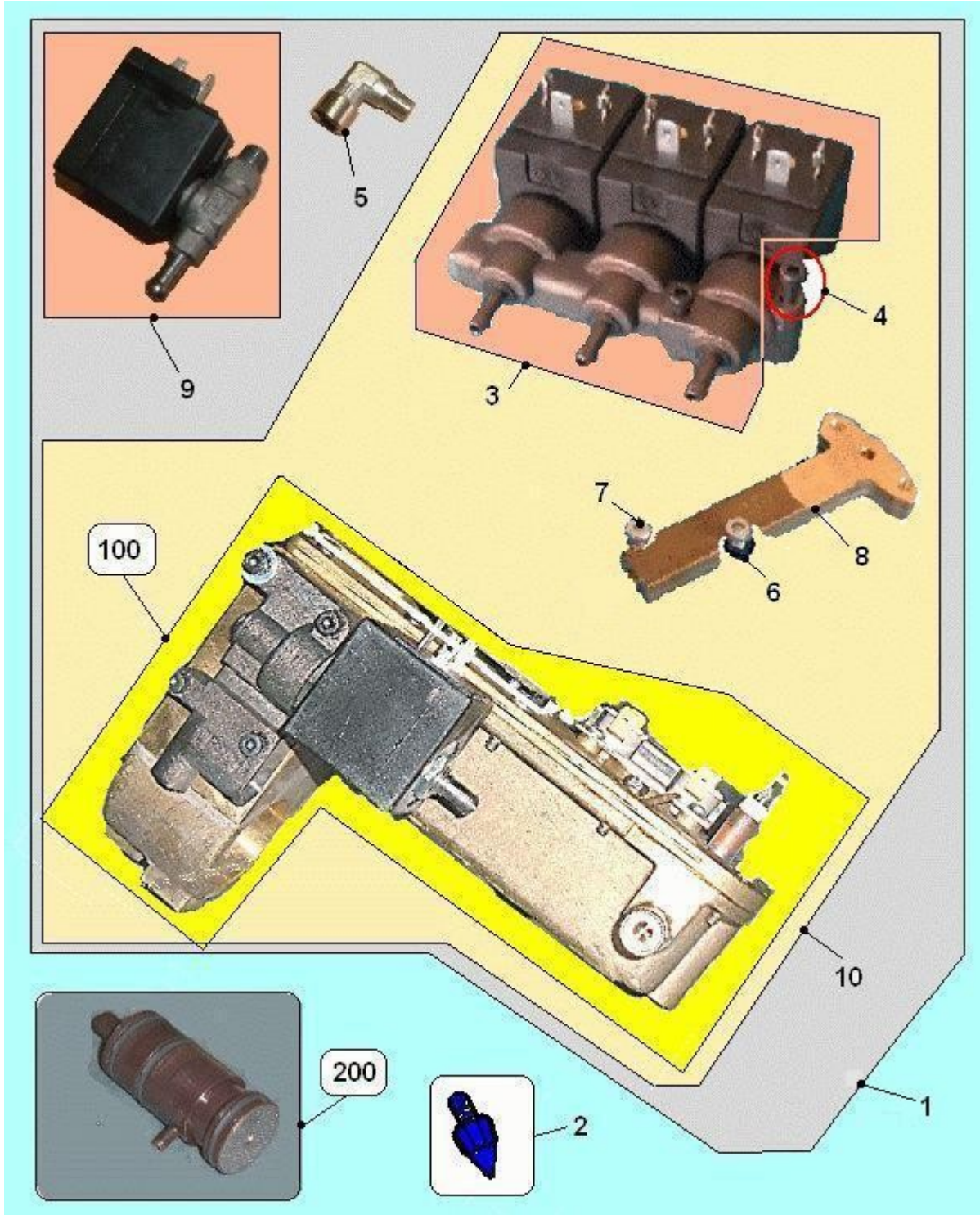
Table: PISTON ASSEMBLY(761)



PISTON ASSEMBLY(761) - Items detail

Position	SPARE PARTS CODE VARIANT	Accessories	DESCRIPTION	For each main Item multiply q.ty by
1	05107725		piston filter knob	
2	07017611		piston spring	
3	36210916		OR2021 gasket	
4	05148032		Piston with valve seat	
5	07017511		piston block rod	
6	36211816		OR4112 gasket	
7	36212116		OR2010 gasket	
8	16014812		filter assy	
9	05138130-01		Cegasa coffee-gr. piston assy	
10	09087873-01		3x6 brown silicone pipe	

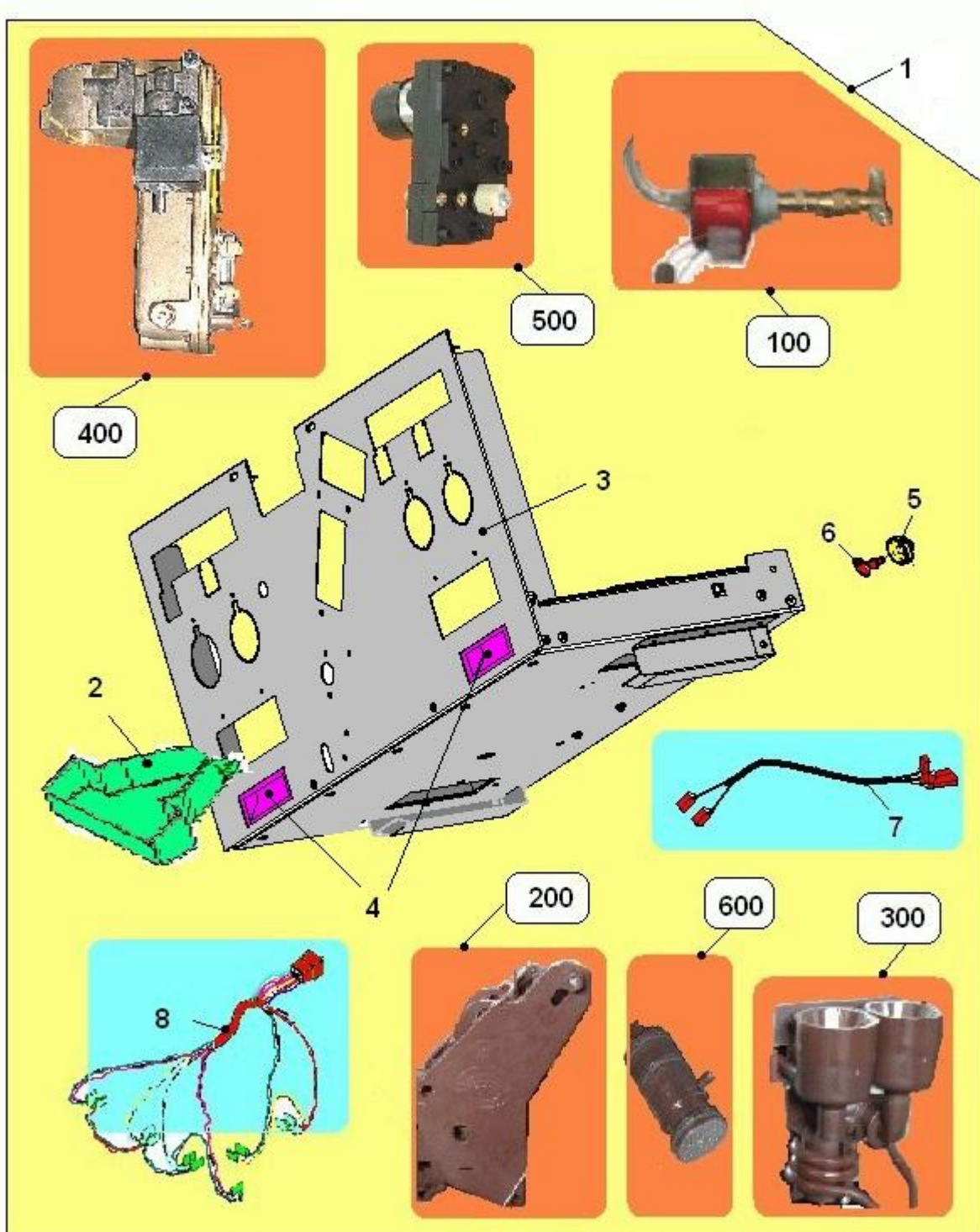
Table: ESPRESSO BOILER ASSY W/INSTANT ELECTROVALVES (763)



ESPRESSO BOILER ASSY W/INSTANT ELECTROVALVES (763) - Items detail

Position	SPARE PARTS CODE VARIANT	Accessories	DESCRIPTION	For each main Item multiply q.ty by
1	43036520		BV952 MB EX 4 e.v. boiler assy	
2	19056011		group fixing pin	
3	25019416-01		24V DC 3EV block two-ways elec	
4	32068316		TCEI 4MAx35 screw	
5	04031216		connection M/F	
6	35160316		d. 4,2 IX self locking washer	
7	32065616		TCEI 4MAx16 screw	
8	19059411-01		new electrovalve block spacer	
9	25012146-02		ELECT.VALVE 2WAYS 24DC W/JOINT	
10	85003110-01		Boiler assembly	
100	See Table "ESPRESSO BOILER COMPONENTS (599)" - Pag. 76			
200	See Table "PISTON ASSEMBLY(761)" - Pag. 9			

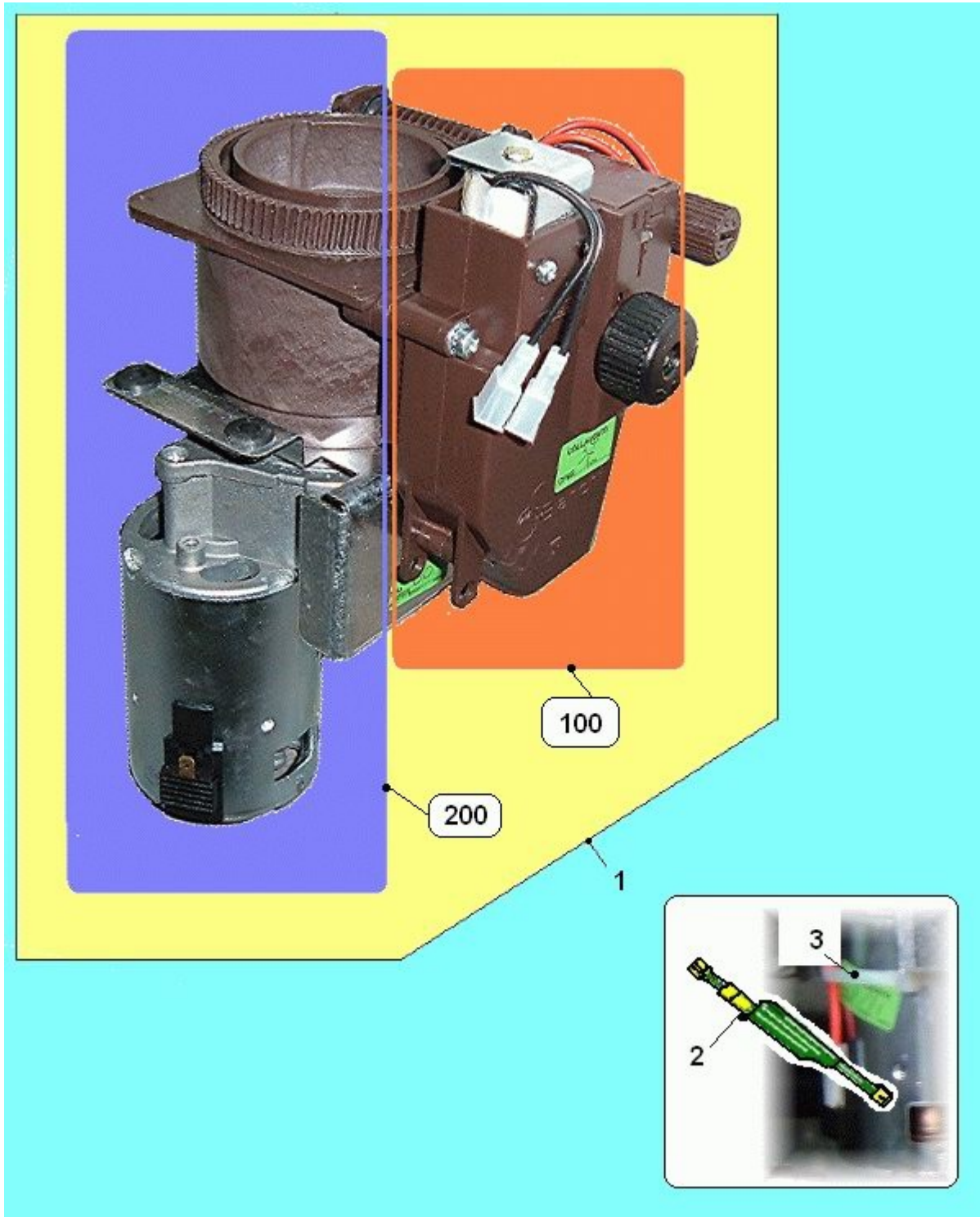
Table: BVM 952 DRAWER ASSY (760)



BVM 952 DRAWER ASSY (760) - Items detail

Position	SPARE PARTS CODE VARIANT	Accessories	DESCRIPTION	For each main item multiply q.ty by
1	96067350		BVM952 MB drawer assy	
2	05117415M37		DOUBLE DROP COLLECTION TRAY BR	
3	01831422		BVM97/952 drawer sheet assy	
4	05238516		PLASTIC HANDLE SOUTHCO BV971	
5	05116416		vega drawer wheel	
6	12016116		drawer wheel pin	
7	22178412		BV971 IVS PROBE WIRING	
8	22177912-01		Drawers block cable BV970 IVS	
100	See Table "24 V WATER PUMP - FLOW SENSO (617)" - Pag. 35			
200	See Table "PLASTIC COFFEE GROUP(1)" - Pag. 3			
300	See Table "MIXERS COMPONENTS (762)" - Pag. 24			
400	See Table "ESPRESSO BOILER ASSY W/INSTANT ELECTROVALVES (763)" - Pag. 11			
500	See Table "COFFEE GROUP GEARMOTOR (483)" - Pag. 7			
600	See Table "PISTON ASSEMBLY(761)" - Pag. 9			

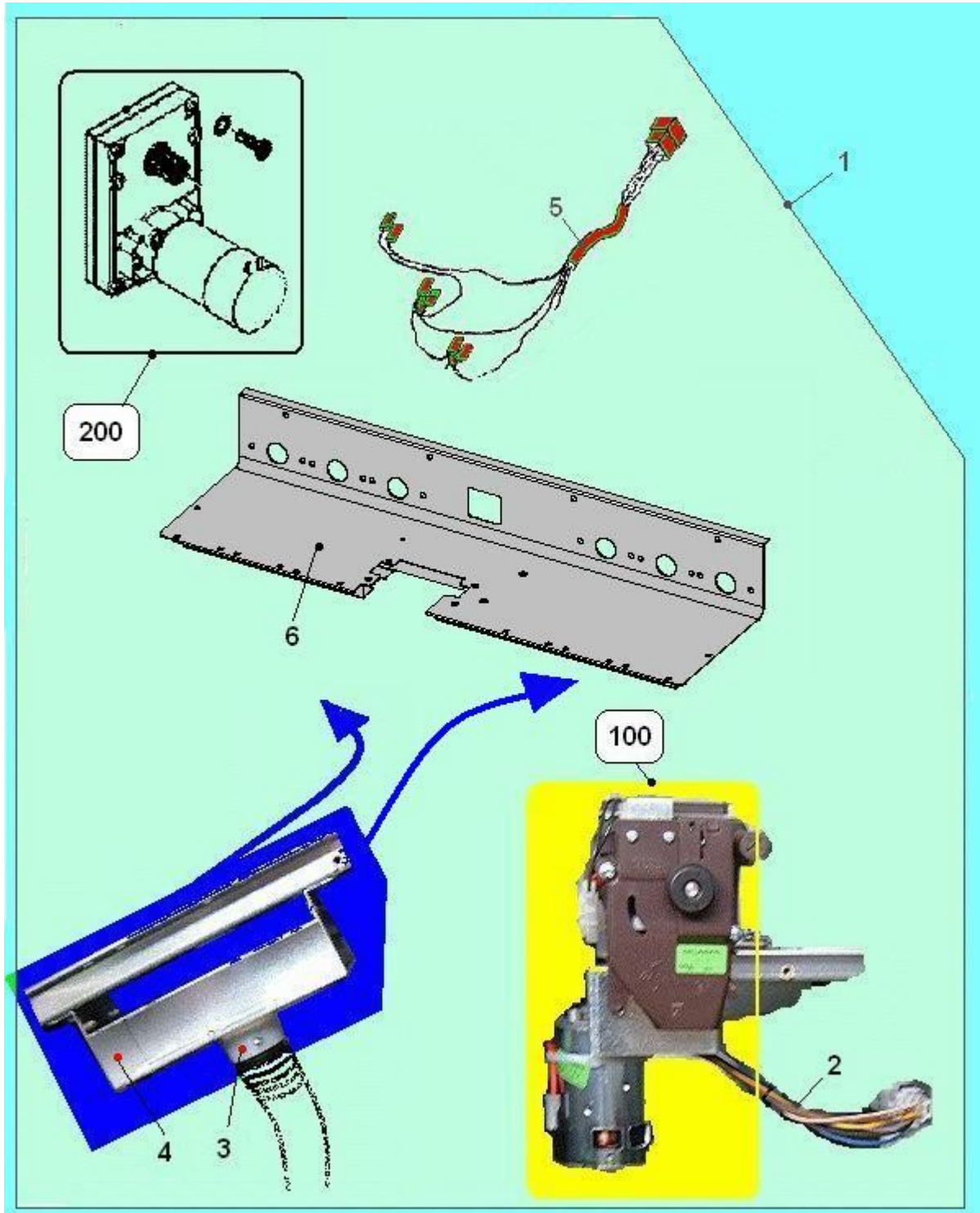
Table: AMETEK GRINDER + DOSER ASSY (764)



AMETEK GRINDER + DOSER ASSY (764) - Items detail

Position	SPARE PARTS CODE VARIANT	Accessories	DESCRIPTION	For each main item multiply q.ty by
1	96057610		ametek grinder + doser assy	
2	22126622		AMETEK FAST 4,8 grinder motor	
3	23026316		lon plast.strip l.290	
100	See Table "COFFEE DOSER ASSEMBLY (773)" - Pag. 82			
200	See Table "GRINDER WITH VERTICAL MOTOR(29)" - Pag. 5			

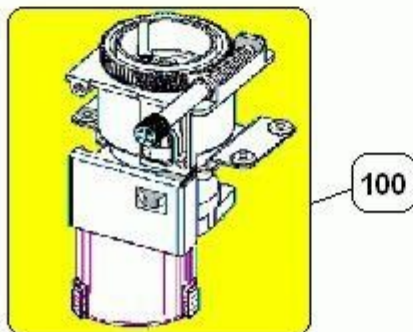
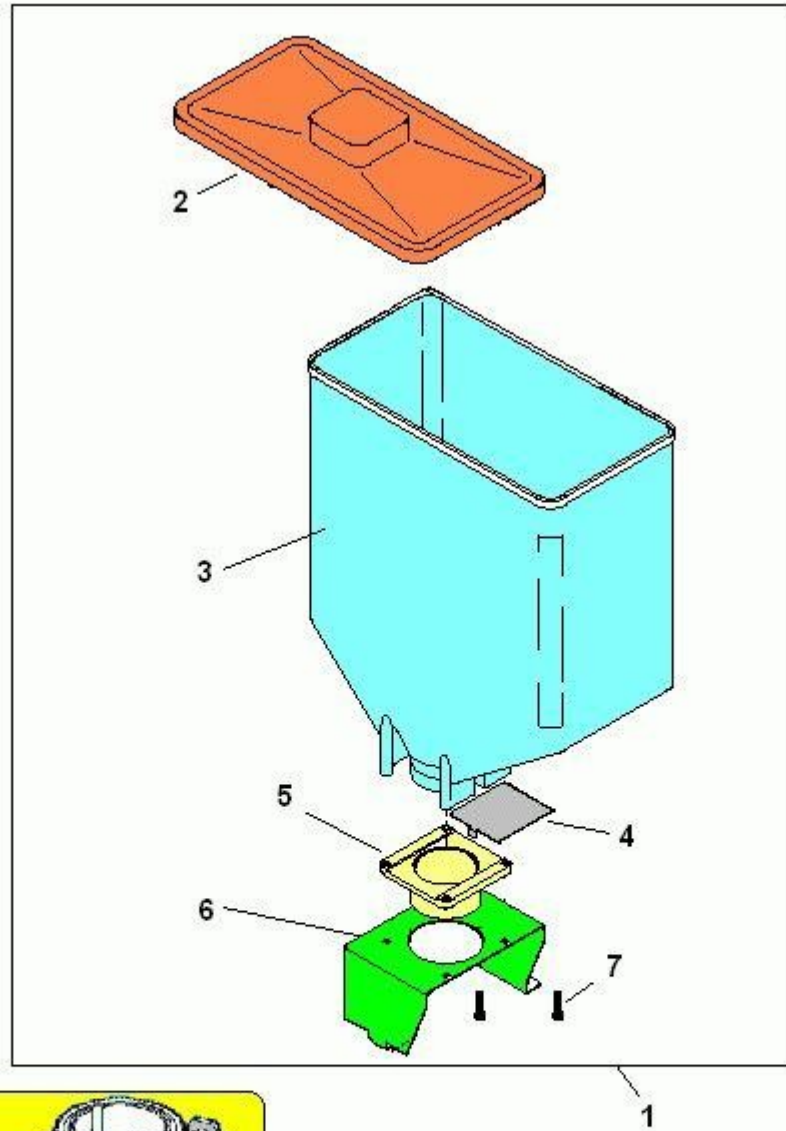
Table: GRINDER + DOSER ASSY SUPPORT - PRODUCT CANISTERS
GEARMOTORS (765)



GRINDER + DOSER ASSY SUPPORT - PRODUCT CANISTERS GEARMOTORS (765) - Items detail

Position	SPARE PARTS CODE VARIANT	Accessories	DESCRIPTION	For each main Item multiply q.ty by
1	96067230		BV952 E4S grinder/box supp.as.	
2	22178312-01		BV970 IVS doser grinder cable	
3	05071915		aspiration pipe connection	
4	01829011		BV971 IVS SUCTION BOX SUPPORT	
5	22183512		BVM952 EX gearmotor cable	
6	01829111-01		BV971 product box supp. plate	
100	See Table "AMETEK GRINDER + DOSER ASSY (764)" - Pag. 15			
200	See Table "MOTORS (401)" - Pag. 22			

Table: COFFEE BEANS CONTAINER (768)



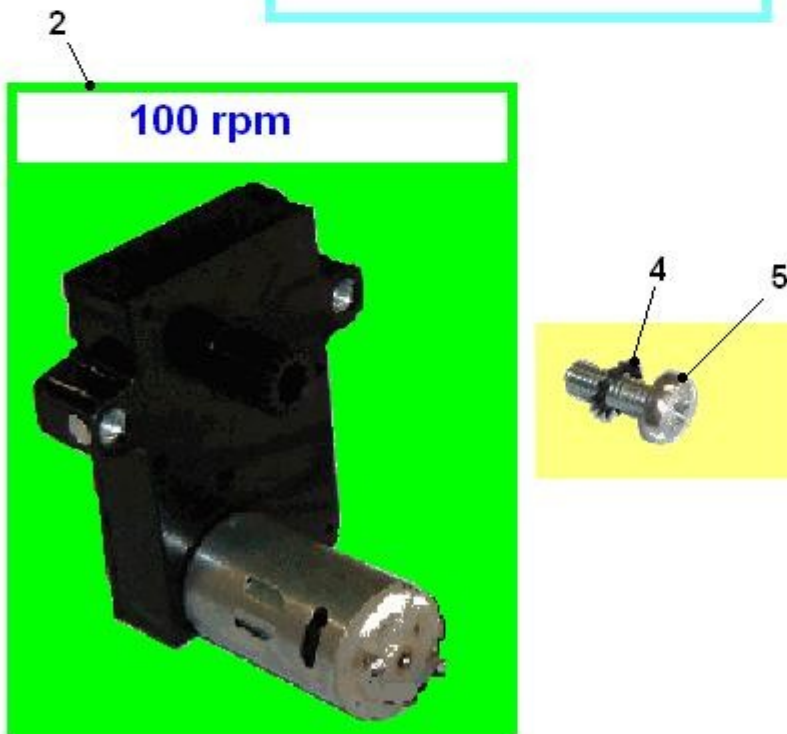
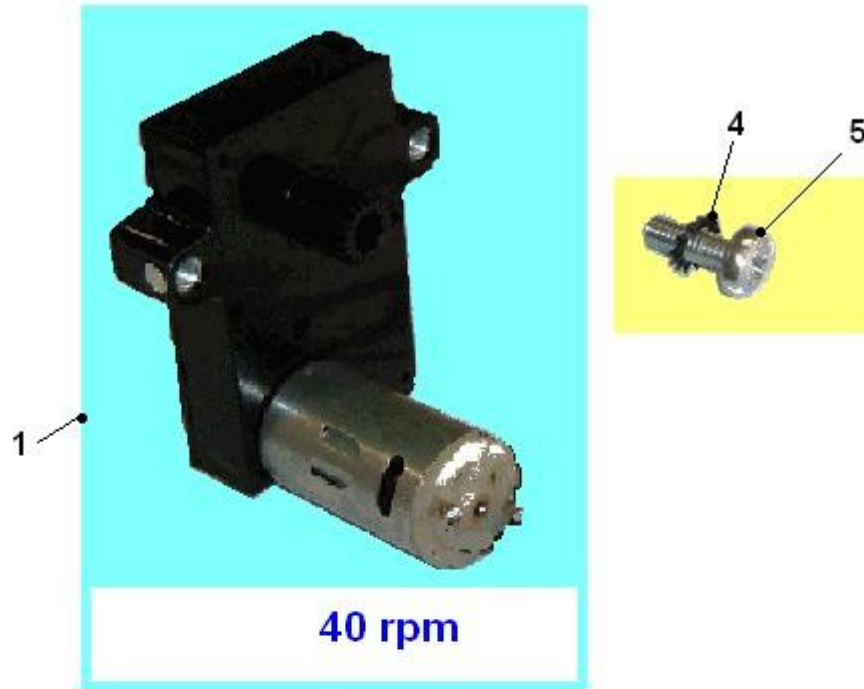
COFFEE BEANS CONTAINER (768) - Items detail

Position	SPARE PARTS CODE VARIANT	Accessories	DESCRIPTION	For each main item multiply qty by
1	05235310		3,5kg coffee canister assy	
2	05232815M37		3,5kg coffee canister cover	
3	05232715-01M16		TRAMOGGIA CAFFE' CAPACITA 3,5K	
4	01228311		waste coffee bulkhead	
5	00112050		flange for feedbox	
6	01588611-03		Beans container plate	
7	32010736		4,0X20 UNI9707 tapping screw	
100	See Table "AMETEK GRINDER + DOSER ASSY (764)" - Pag. 15			

Tables of group :

-  **Coffee Machines**
 -  **BVM 952 - Free Standing**
 -  **BV952ES01GG - BVM952 E4S MC PD**
 -  **INSTANT ASSEMBLY**

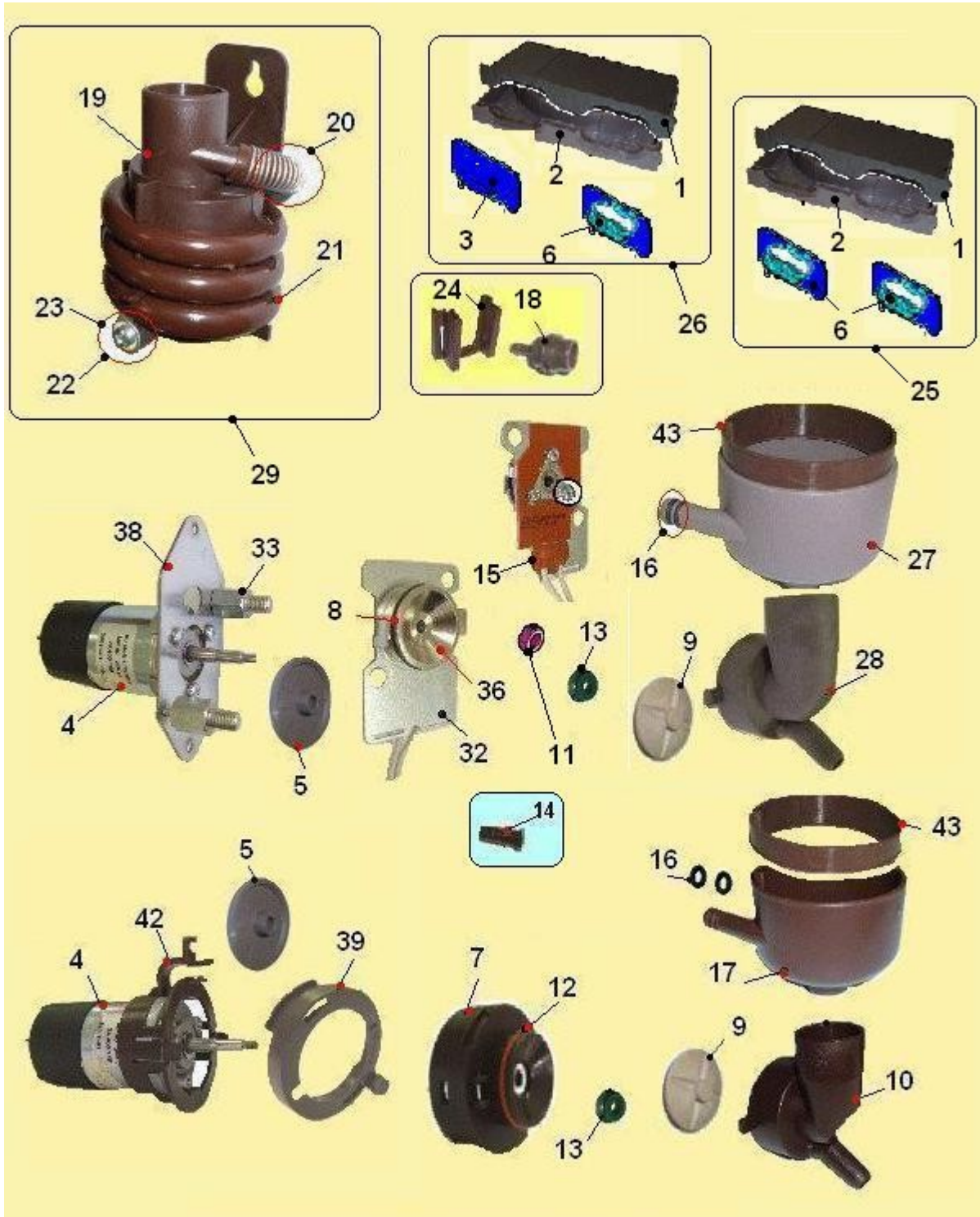
Table: MOTORS (401)



MOTORS (401) - Items detail

Position	SPARE PARTS CODE VARIANT	Accessories	DESCRIPTION	For each main Item multiply q.ty by
1	20016916-02		MOT.24VDC 40G/M wout/CABL.PLS	
2	20017016-02		100 rpm 24V DC gearmotor w/o c	
4	35160516		6.2 self-locking washer	
5	32130616		6MAx16 screw	

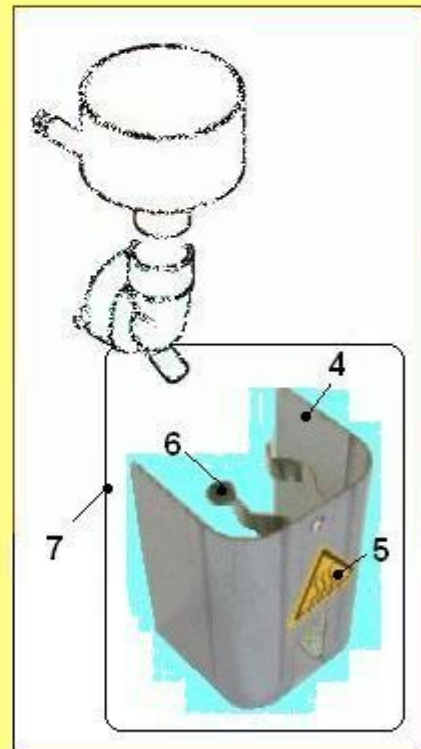
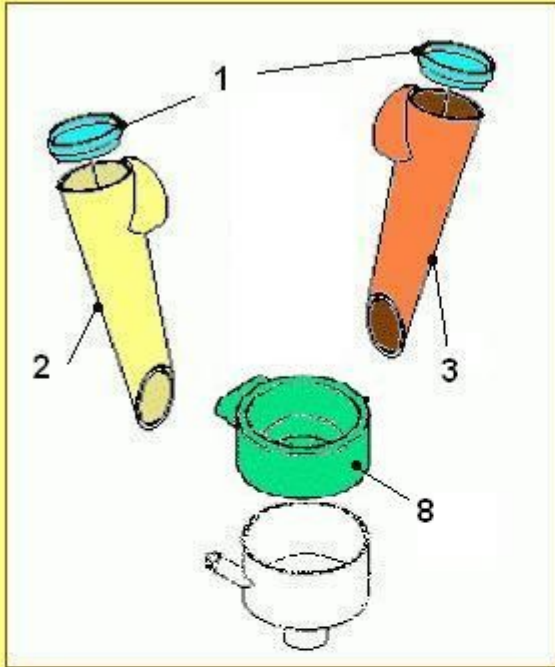
Table: MIXERS COMPONENTS (762)



MIXERS COMPONENTS (762) - Items detail

Position	SPARE PARTS CODE VARIANT	Accessories	DESCRIPTION	For each main item multiply q.ty by
1	05139725		upper aspiration box	
2	05139625		lower aspiration box peglVS	
3	05117215		aspiration box plug	
4	20020016-01		24VDC mixermotor screwed shaft	
5	05154015		mixer protection disk	
6	05117615		vapor aspiration box opening	
7	05243112		Mixing room flange support as.	
8	36212516		O-Ring 29,74x2,95 viton	
9	05111825		mixer impeller	
10	05111625		brown mixing chamber	
11	34103116		8MA hex nut	
12	36210716		OR 3131 gasket	
13	36351215		green V-seal gasket	
14	05102225		brown mixing chamber	
15	29004216		20W 24V heating element(heat.m	
16	36203816		OR 106 6,75/1,78 gasket	
17	05113745		brown mixing bowl	
18	05132525		brown r. holder connec.for 3,5	
19	05141825		brown tea serpentine support	
20	07017711		tea serpent. spring	
21	09087843-01		7x11 brown silicone pipe	
22	32227256		3.9x9.5 self-tapping screw	
23	35168616		plain washer	
24	05159025M37		rubber holder connection suppo	
25	05169010		lower aspiration box	
26	05169020		Low.brown suction box RT clos.	
27	05113725		heated mixing bowl	
28	05137615		verton mixer chamber	
29	43027810		pipe-kit for the	
32	01830711		Heated bowl support	
33	19056531-01		Spacer nut L=26,5	
36	19033441		mixer base	
38	01830812		Heated bowl w/insert supp assy	
39	05240915M37		Mixing room blocking flange	
42	05241115M37		Motor support flange	
43	05132425		brown mixing bowl collar	

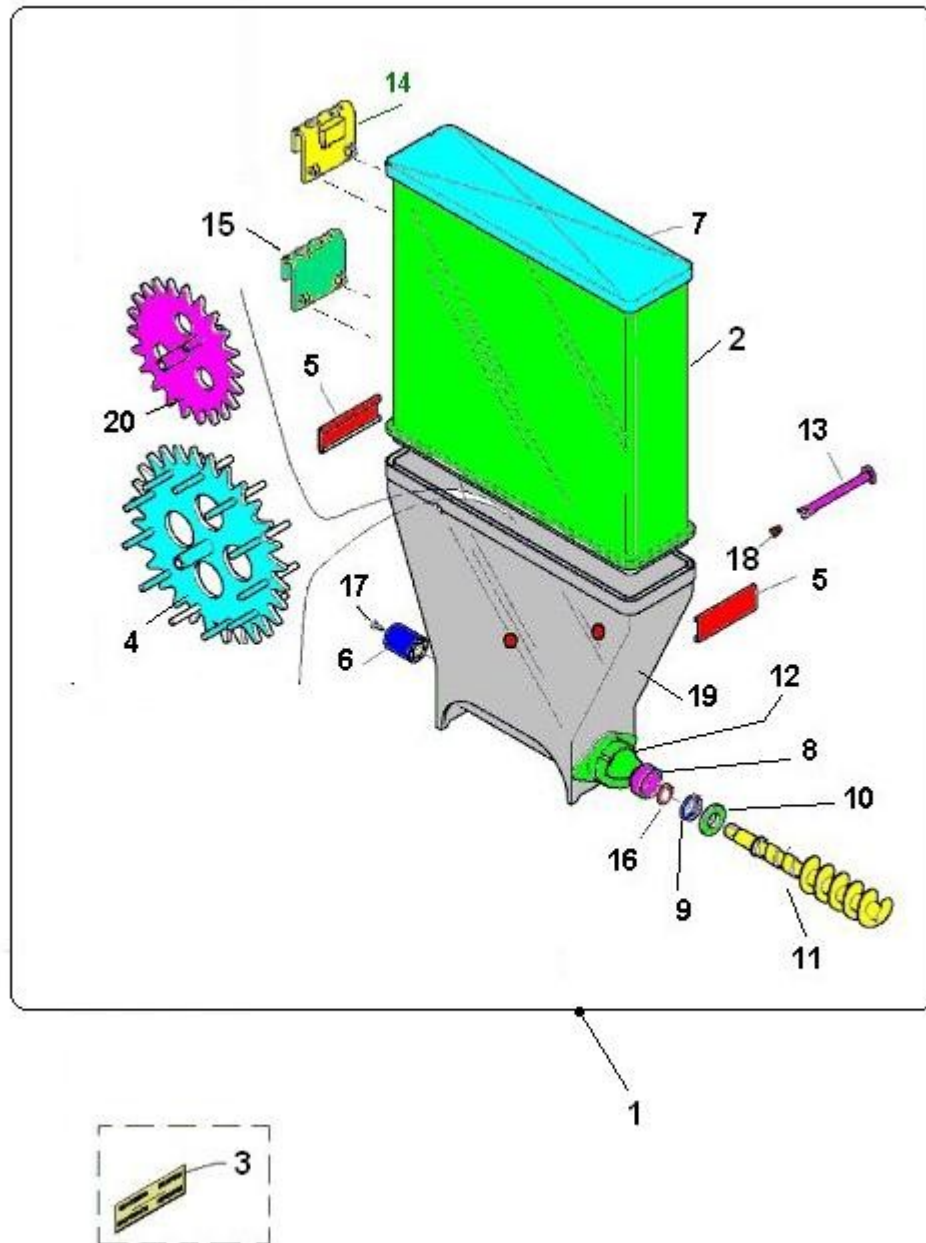
Table: SUPPLEMENT PARTS (772)



SUPPLEMENT PARTS (772) - Items detail

Position	SPARE PARTS CODE VARIANT	Accessories	DESCRIPTION	For each main Item multiply q.ty by
1	05160415-01M37		powder funnel cap brown	
2	05160665		brown left powder funnel l=101	
3	05160655		brown right powder funnel l=10	
4	01833311-01		Heated bowl cover	
5	30069411-01		temperat.safety sticker	
6	23036116		hook with screw and nut	
7	01833512		Heated bowl cover assy	
8	05113825		brown mixing bowl cover	

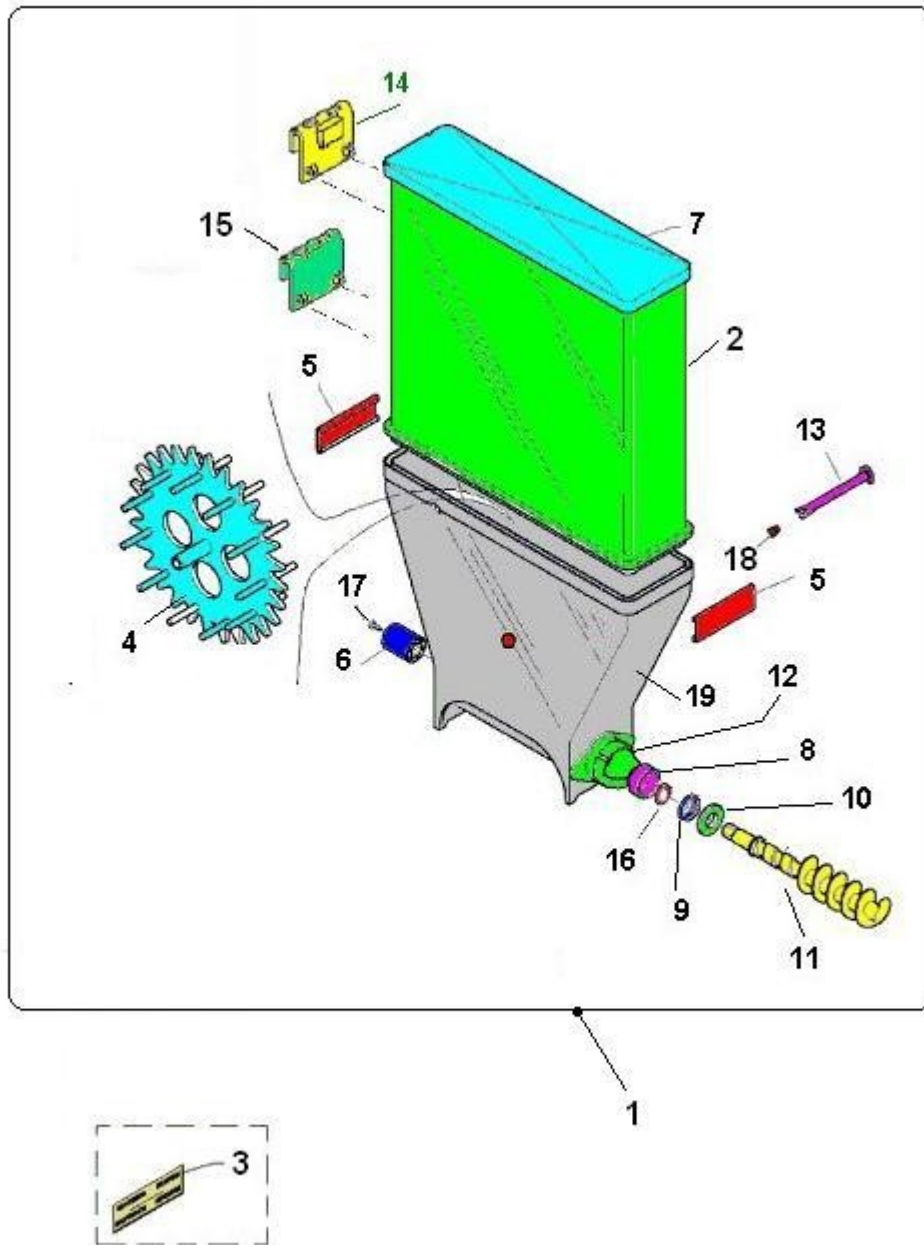
Table: CANISTER 2 WHEELS WITH EXTENSION 221 mm (774)



CANISTER 2 WHEELS WITH EXTENSION 221 mm (774) - Items detail

Position	SPARE PARTS CODE VARIANT	Accessories	DESCRIPTION	For each main item multiply q.ty by
1	96048720-01		canister 2wheels +221mm	
2	05112755		L=221 upper dosing caniste	
3	30064911-01		Batcher box PVC labels	
4	05112215-01		main cogwheel for canister	
5	05113415		hook	
6	05113315		auger joint	
7	05112915		canister lid	
8	05112535		auger pin bushing	
9	36250016		DI 043 gasket	
10	05113215		sealing bushing for auger	
11	05124515		dispensing auger	
12	05158515-01		auger for product canister	
13	05133115-01		canister pivot	
14	05113015		hook for canister	
15	05113025		high hook for canister	
16	36200616		Oring 15x2	
17	32222916		2,9x13 self-tapping screw	
18	05160215		wedge for canister pivot	
19	05158615-02		SCAT.DOS-INF X 2 RUOTE	
20	05112315		secondary cogwheel for caniste	

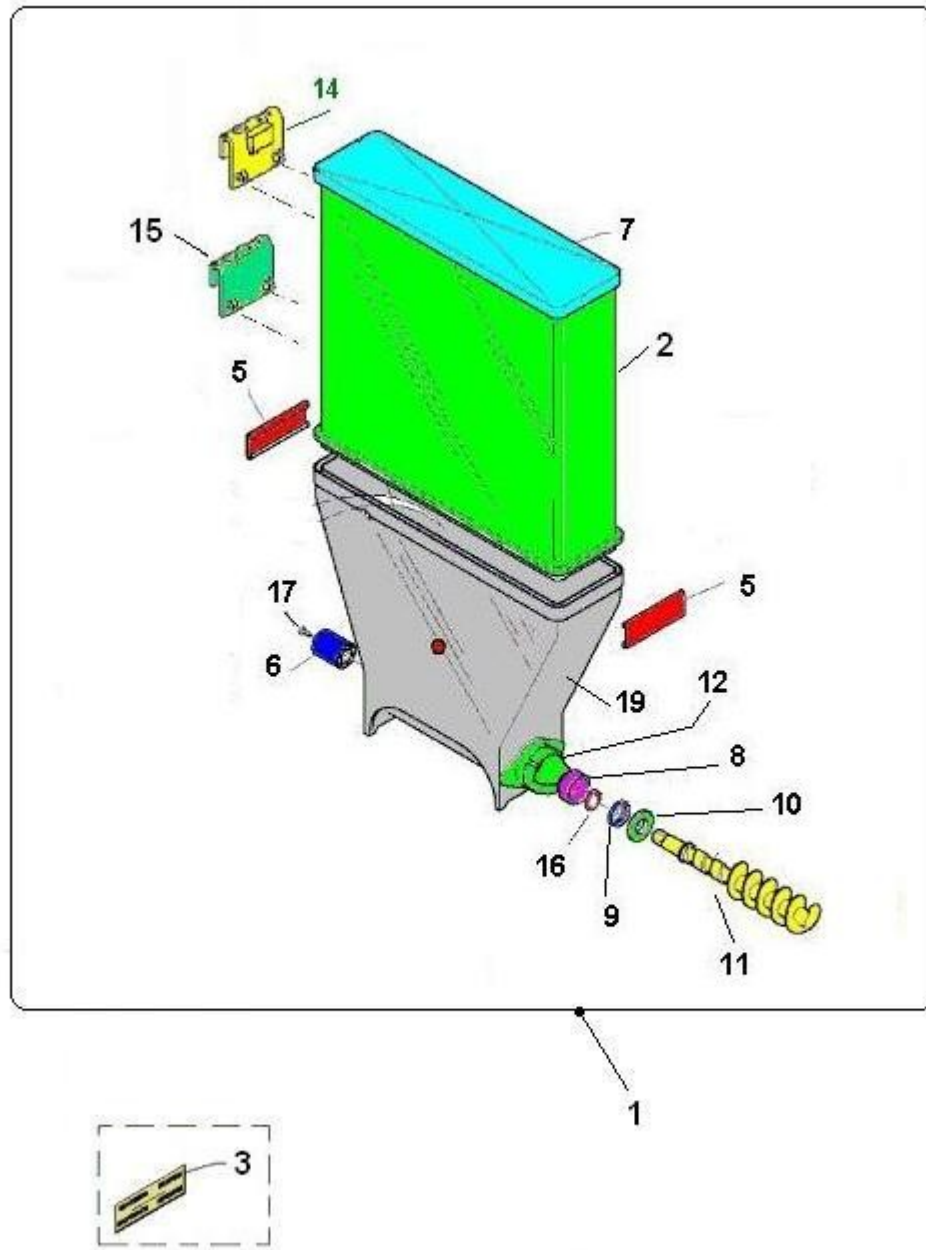
Table: CANISTER 1 WHEEL WITH EXTENSION 221 mm (775)



CANISTER 1 WHEEL WITH EXTENSION 221 mm (775) - Items detail

Position	SPARE PARTS CODE VARIANT	Accessories	DESCRIPTION	For each main item multiply q.ty by
1	96048620-01		canister 1wheel +221mm	
2	05112755		L=221 upper dosing caniste	
3	30064911-01		Batcher box PVC labels	
4	05112215-01		main cogwheel for canister	
5	05113415		hook	
6	05113315		auger joint	
7	05112915		canister lid	
8	05112535		auger pin bushing	
9	36250016		DI 043 gasket	
10	05113215		sealing bushing for auger	
11	05124515		dispensing auger	
12	05158515-01		auger for product canister	
13	05133115-01		canister pivot	
14	05113015		hook for canister	
15	05113025		high hook for canister	
16	36200616		Oring 15x2	
17	32222916		2,9x13 self-tapping screw	
18	05160215		wedge for canister pivot	
19	05158625-02		SCAT.DOS.-INF. X 1 RUOTA	

Table: CANISTER WITHOUT WHEEL WITH EXTENSION 221 mm (776)



CANISTER WITHOUT WHEEL WITH EXTENSION 221 mm (776) - Items detail

Position	SPARE PARTS CODE VARIANT	Accessories	DESCRIPTION	For each main Item multiply q.ty by
1	96035750-01		canister assy w/out wheel 221	
2	05112755		L=221 upper dosing canister	
3	30064911-01		Batcher box PVC labels	
5	05113415		hook	
6	05113315		auger joint	
7	05112915		canister lid	
8	05112535		auger pin bushing	
9	36250016		DI 043 gasket	
10	05113215		sealing bushing for auger	
11	05124515		dispensing auger	
12	05158515-01		auger for product canister	
14	05113015		hook for canister	
15	05113025		high hook for canister	
16	36200616		O-ring 15x2	
17	32222916		2,9x13 self-tapping screw	
19	05158635-01		product canister without wheel	

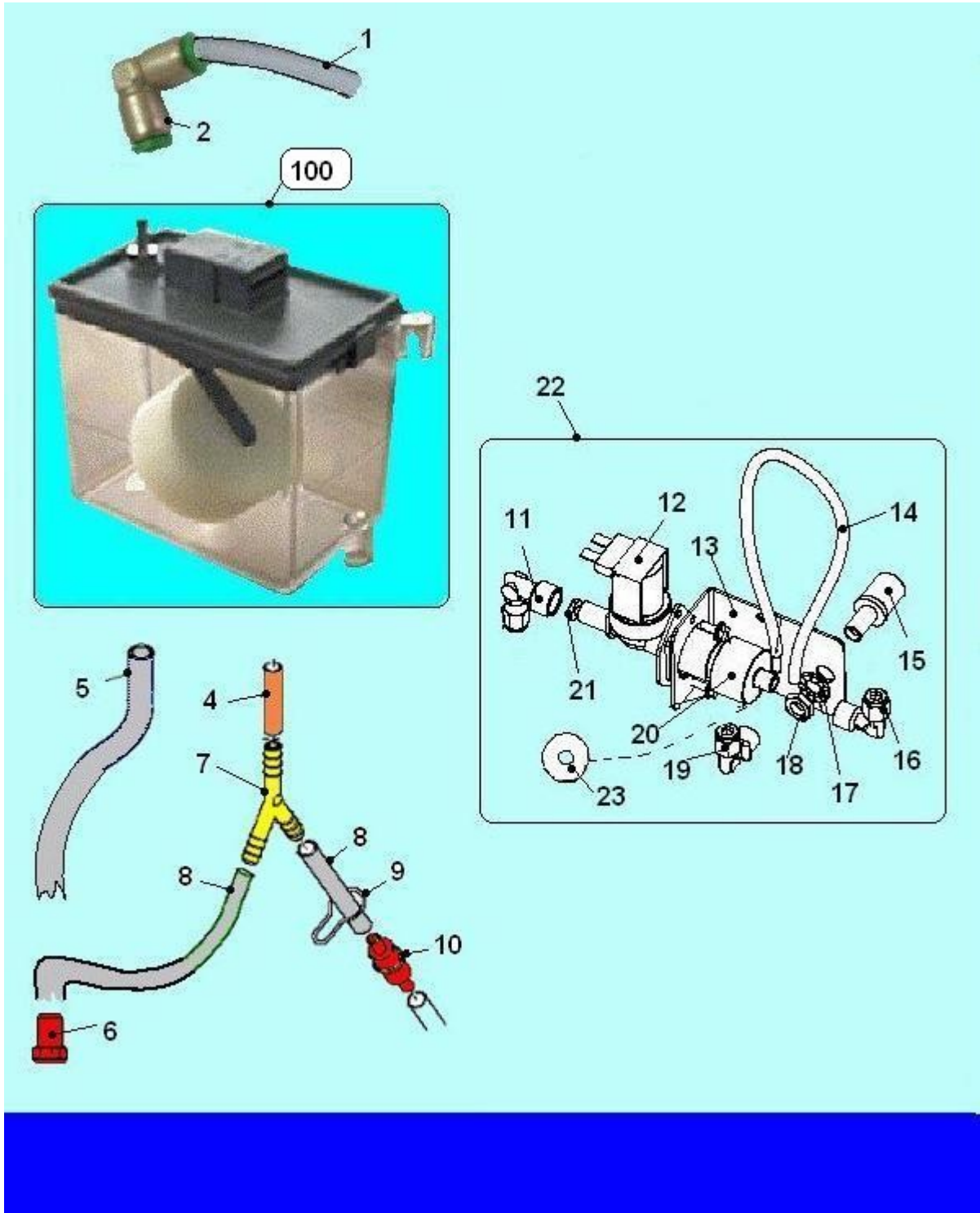
Tables of group :

-  **Coffee Machines**
 -  **BVM 952 - Free Standing**
 -  **BV952ES01GG - BVM952 E4S MC PD**
 -  **HYDRAULIC COMPONENTS**

24 V WATER PUMP - FLOW SENSO (617) - Items detail

Position	SPARE PARTS CODE VARIANT	Accessories	DESCRIPTION	For each main item multiply q.ty by
1	09029763		5x9 transparent silicone pipe	
2	27003316		EX5 230V-50Hz Ulka electropump	
3	04040916		safety valve	
4	04041016		anti return valve male/female	
5	05240015M00		3ways connector 9mm ext.	
6	25022616		clixon 100°	
7	24012116		flow sensor	
9	07016416-01		pump support	
10	09085423		4x6 teflon pipe	
17	04035326		elbow connection	
18	07017711		tea serpent. spring	

Table: INLET WATER (767)



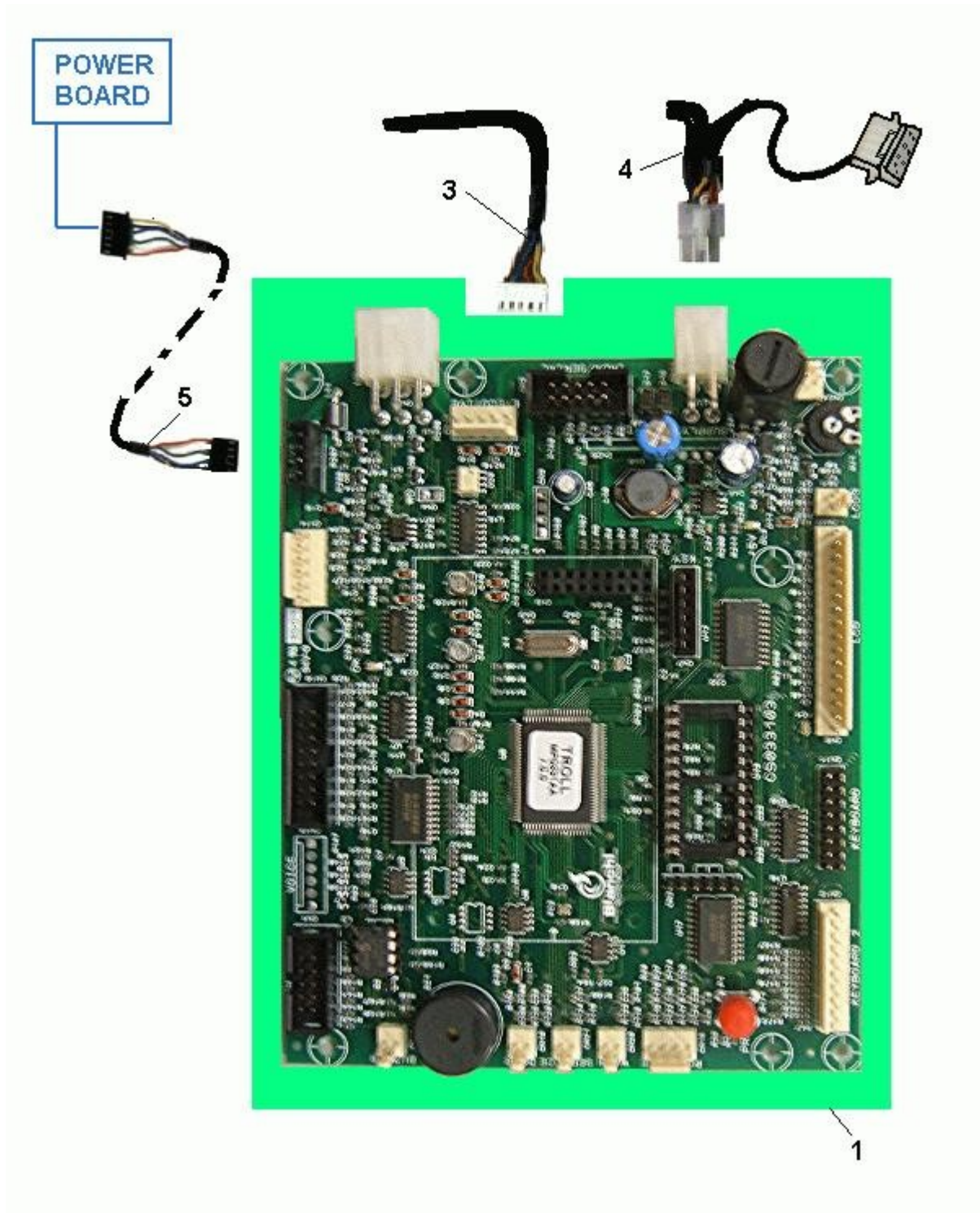
INLET WATER (767) - Items detail

Position	SPARE PARTS CODE VARIANT	Accessories	DESCRIPTION	For each main item multiply q.ty by
1	09085423		4x6 teflon pipe	
2	04041416		quick-release connection D=6	
4	09087843-01		7x11 brown silicone pipe	
6	05036515		drain tube plug	
7	05240015M00		3ways connector 9mm ext.	
8	09029763		5x9 transparent silicone pipe	
9	07010711		clapper	
10	16014316		water filter	
11	04036846		elbow connection	
12	25000146		inlet water electrovalve 24v d	
13	01525121-01		Brita e.v. support plate	
14	09085423		4x6 teflon pipe	
15	04040716		1/8 - 3/8 straight connection	
16	04036816		elbow connection	
17	35160716		washer	
18	04014131		hexagonal nut 1/8GAS	
19	04036816		elbow connection	
20	04000131		3/4 GF 1/8 GM connection	
21	05111026		washer silicon	
22	25032560		BVM MB/DB Brita e.v.supp.assy	
23	05111016		Ø 25,5 silicone plain gasket	
100	See Table "AIR BREAK ASSY W/MICRO SW (784)" - Pag. 84			

Tables of group :

-  **Coffee Machines**
 -  **BVM 952 - Free Standing**
 -  **BV952ES01GG - BVM952 E4S MC PD**
 -  **ELECTRICS & ELECTRONICS**

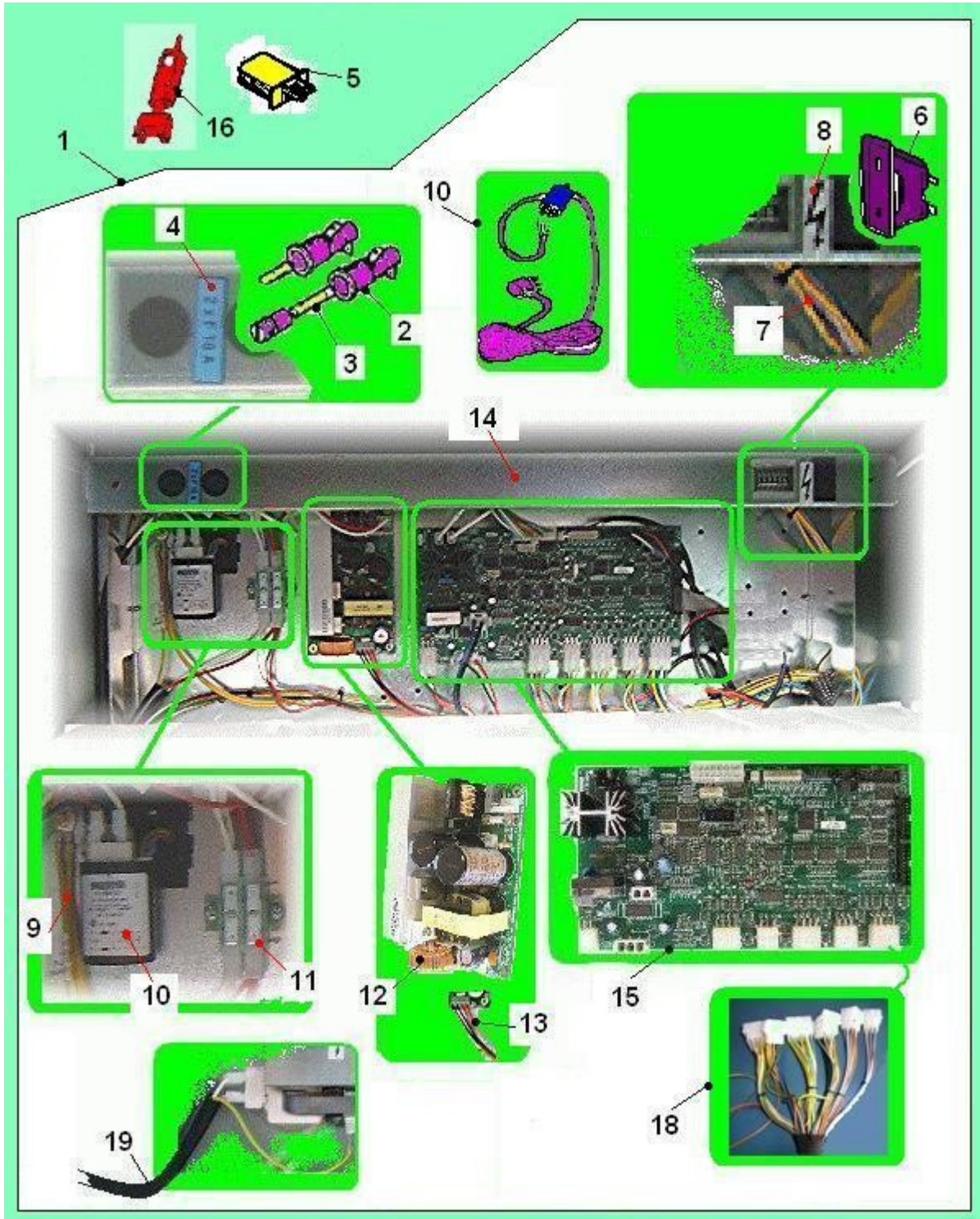
Table: MASTER ELECTRONIC BOARD (387)



MASTER ELECTRONIC BOARD (387) - Items detail

Position	SPARE PARTS CODE VARIANT	Accessories	DESCRIPTION	For each main Item multiply q.ty by
1	26027336		master board SMT	
3	22084222-01		executive cable	
4	22172312		bvm970mdb+executive supply cab	
5	43020012		cable from Master B.SMT to Pow	

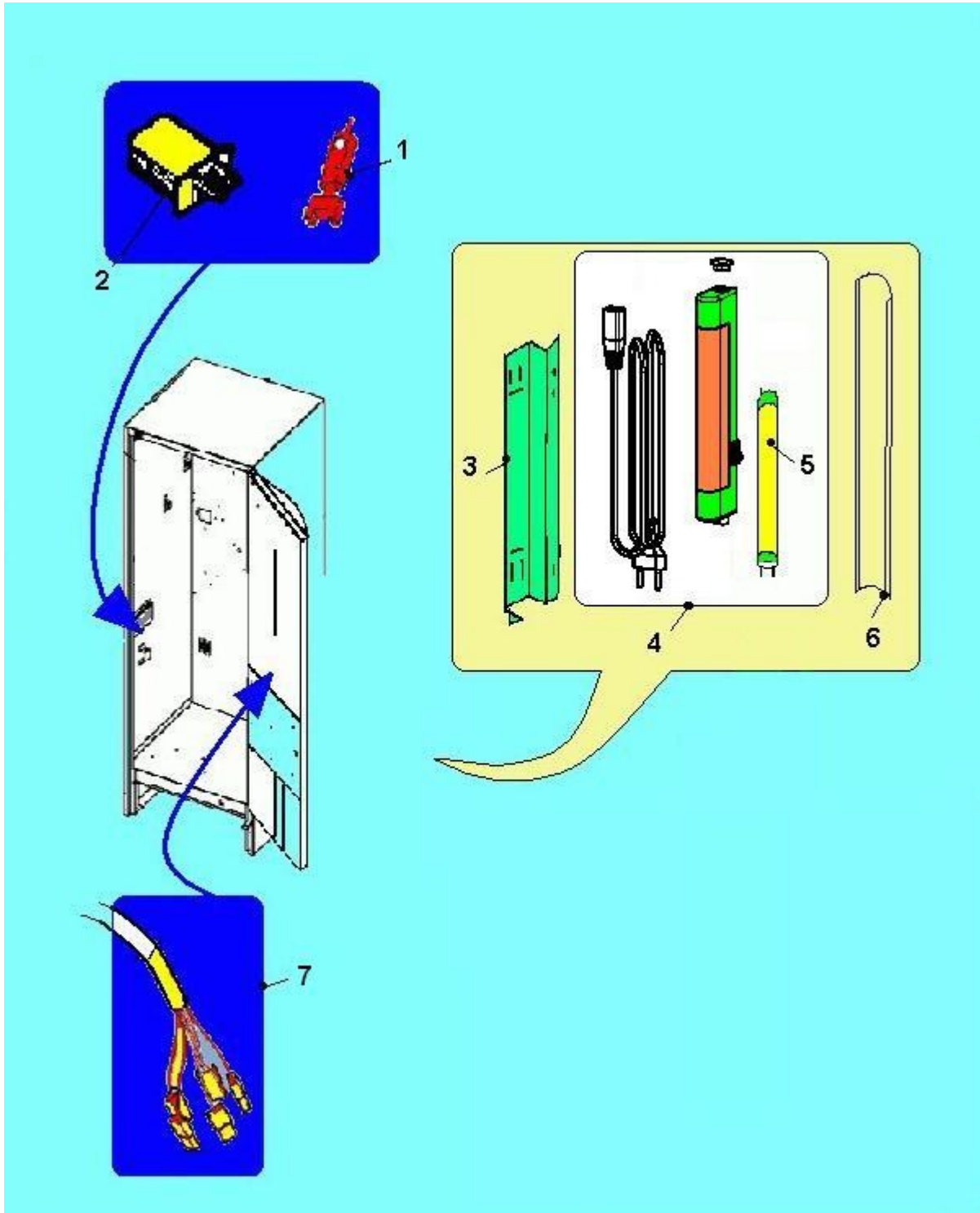
Table: ELECTRIC PANEL (759)



ELECTRIC PANEL (759) - Items detail

Position	SPARE PARTS CODE VARIANT	Accessories	DESCRIPTION	For each main item multiply q.ty by
1	94033910-01		BV952 MB ECU assy	
2	23017316		6.3x32 snap-type fuse holder	
3	23014916		10 Amp. fuse	
4	30069511-01		Orion GP fuse label	
5	26016726		safety switch	
6	23014416		socket 2P+G	
7	22177612-01		BV97swit.+socket cab. w/sheath	
8	30077911		ground plate pegaso	
9	22043022		GROUND WIRING L=200	
10	26026326		net filter quick connection wi	
11	23038816		BVM plugs assy	
12	26048316		switch powersup230/110Vac-24Vd	
13	22177512		BV970 IVS switch power supply	
14	01852212-02		BV952 w/insert switch box assy	
15	26048416		power board SMT	
16	05097215-01M37		Service key XT Clixon brown	
18	22177412-02		BV970 IVS general cable	
19	22177712-01		BV97 aspirator cable w/sheath	

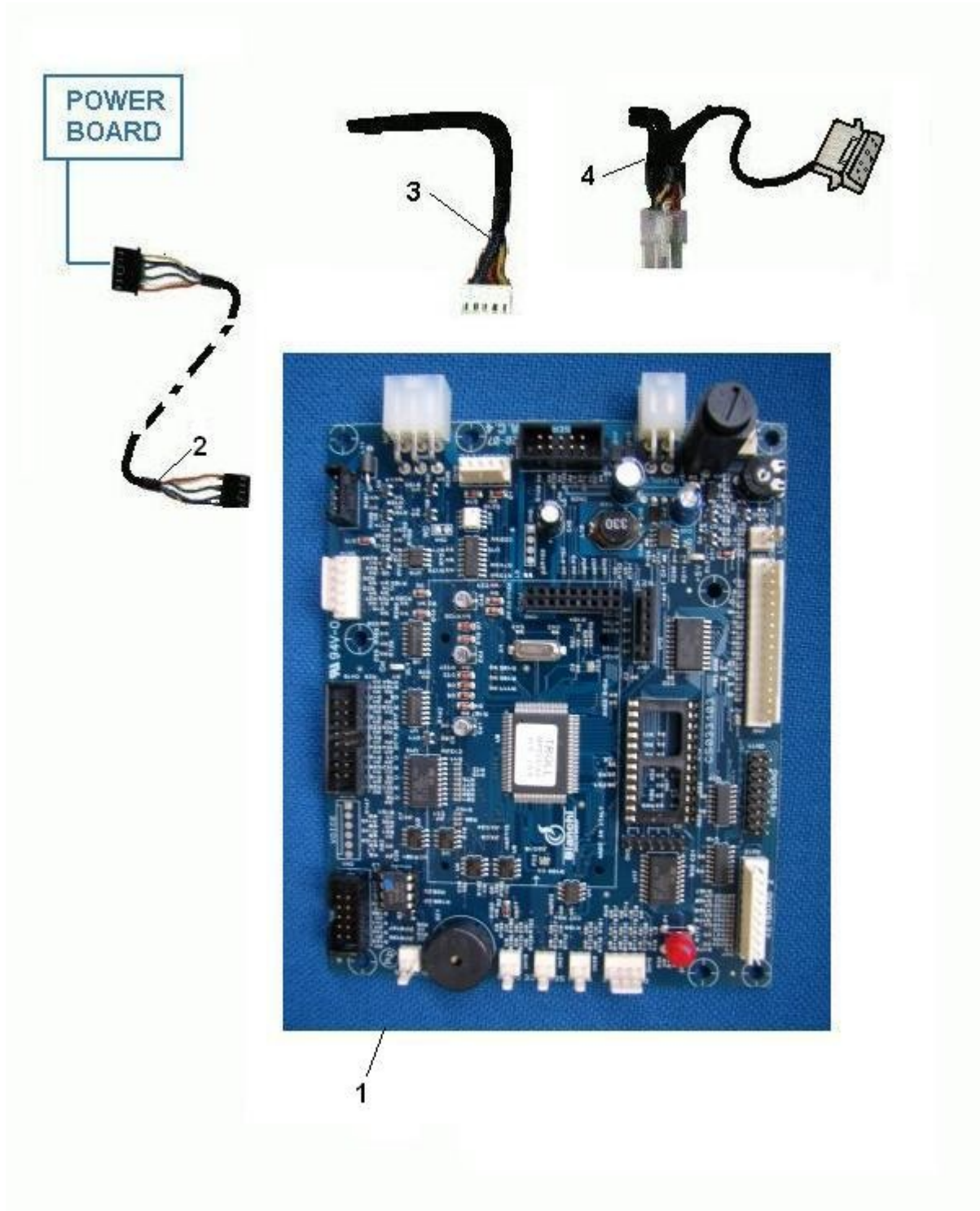
Table: NEON AND ELECTRICAL PARTS (781)



NEON AND ELECTRICAL PARTS (781) - Items detail

Position	SPARE PARTS CODE VARIANT	Accessories	DESCRIPTION	For each main item multiply q.ty by
1	05097215-01M37		Service key XT Clixon brown	
2	26016726		safety switch	
3	01812311		omega upper neon BVM951	
4	23039126-01		Neon lamp F.A.230V 8W LNK4100	
5	41081626		Neon kit for lamp 8W	
6	05115056		BVM951 lamp L.370 carter	
7	22177812-01		BV970 IVS door wiring	

Table: MASTER BOARD - from serial number 07335378



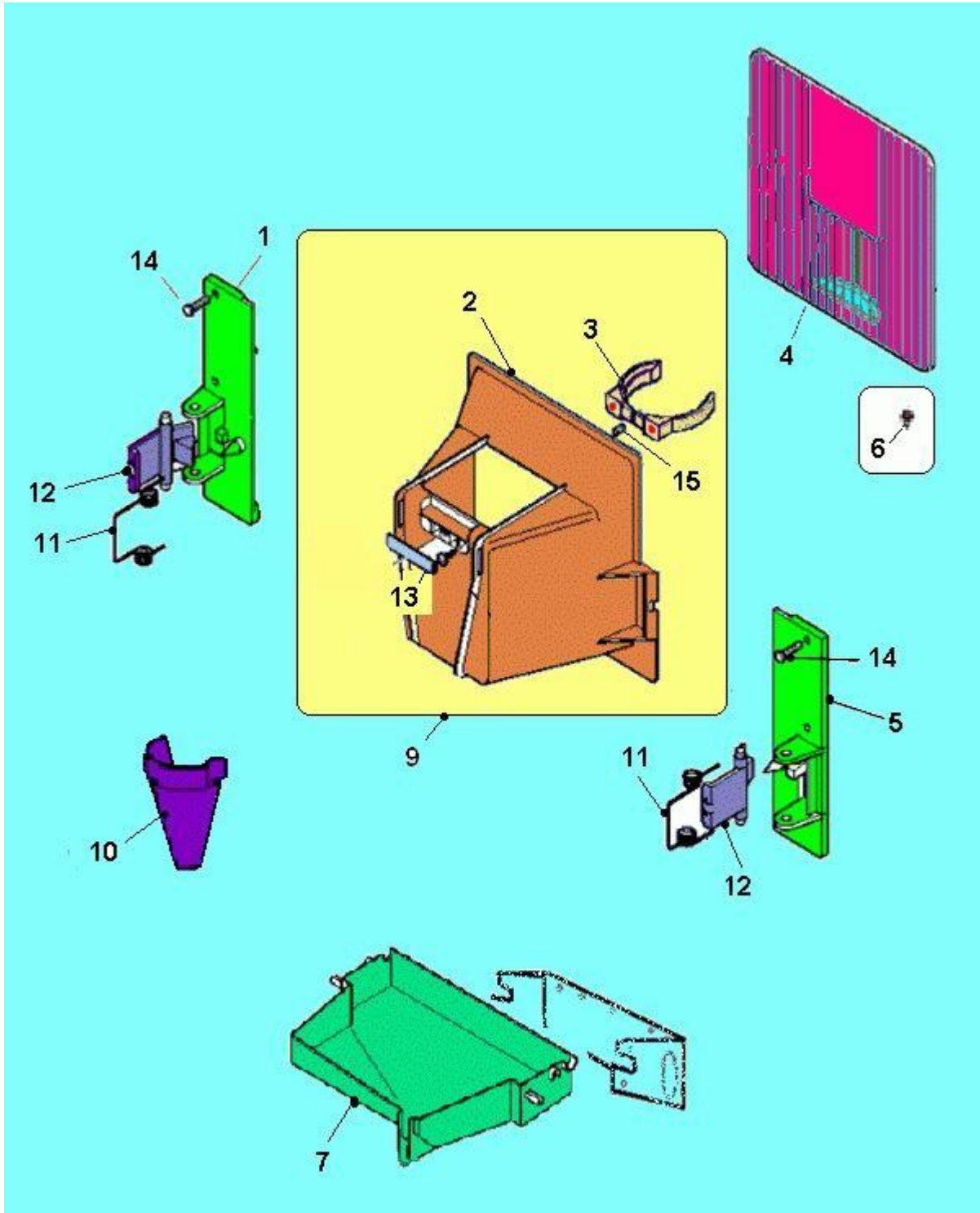
MASTER BOARD - from serial number 07335378 - Items detail

Position	SPARE PARTS CODE VARIANT	Accessories	DESCRIPTION	For each main Item multiply q.ty by
1	26027336-01		Blue SMT w/micro256K CPU board	
2	43020012		cable from Master B.SMT to Pow	
3	22084222-01		executive cable	
4	22172312		bvm970mdb+executive supply cab	

Tables of group :

-  **Coffee Machines**
-  **BVM 952 - Free Standing**
 -  **BV952ES01GG - BVM952 E4S MC PD**
 -  **PRODUCT DELIVERY**

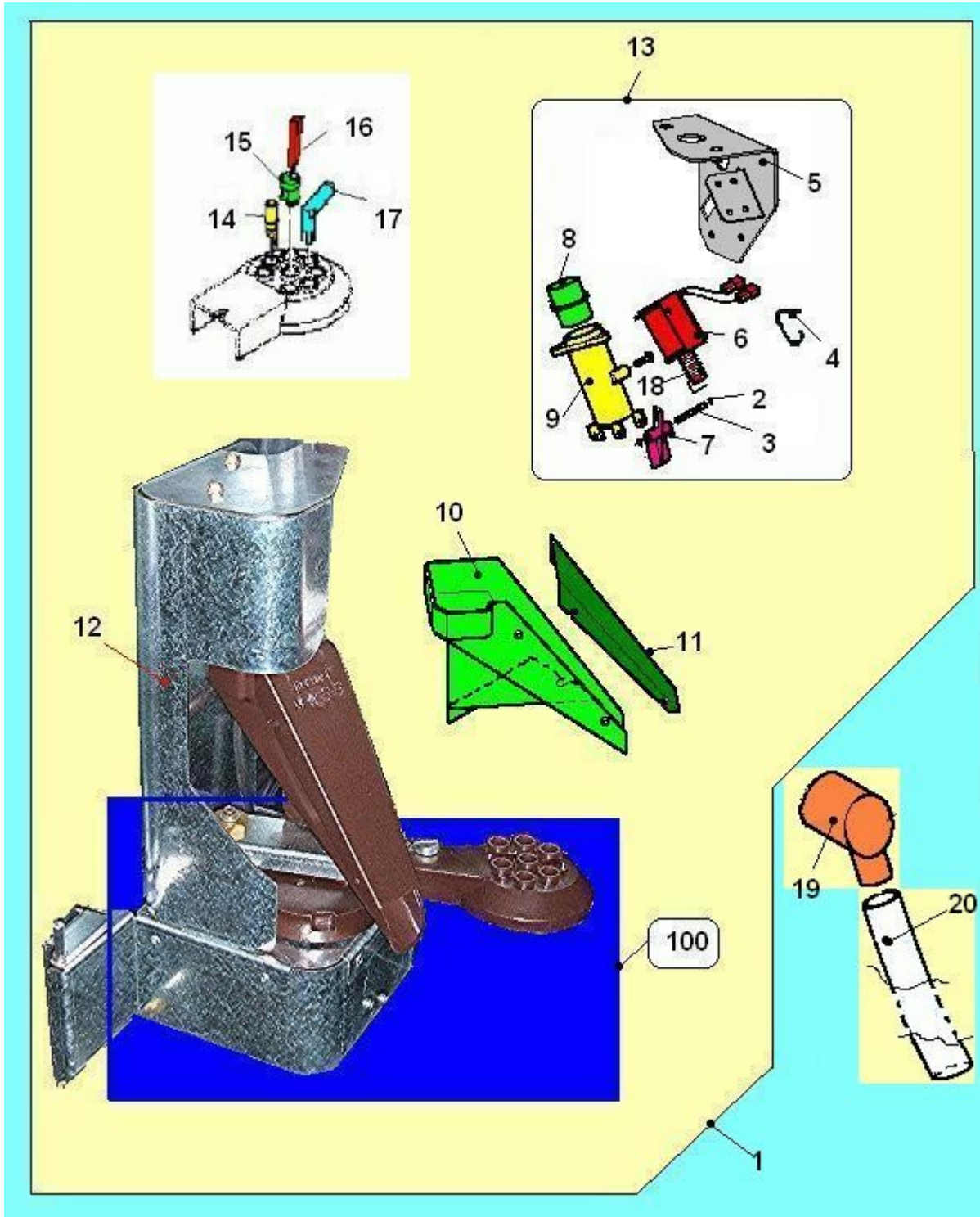
Table: CUPS STATION (633)



CUPS STATION (633) - Items detail

Position	SPARE PARTS CODE VARIANT	Accessories	DESCRIPTION	For each main Item multiply q.ty by
1	05103425		left cup station support blac	
2	05103225		black cup station	
3	05000315M09		black cup fork	
4	05103615		cup station door	
5	05103325		black cup station lever suppor	
6	05099116		blow-hole rubber cap	
7	05103715-01M37		drops collection tray brown	
9	05108320		black cup station	
10	05103815-01		dispensing chamber funnel	
11	07017311		catch lever spring	
12	05103525		black cup station lock-lever	
13	05134415		delivery area plate	
14	32090636		TE 5MAx18 screw	
15	32110416		5MAx10 hexagonal socket gr	

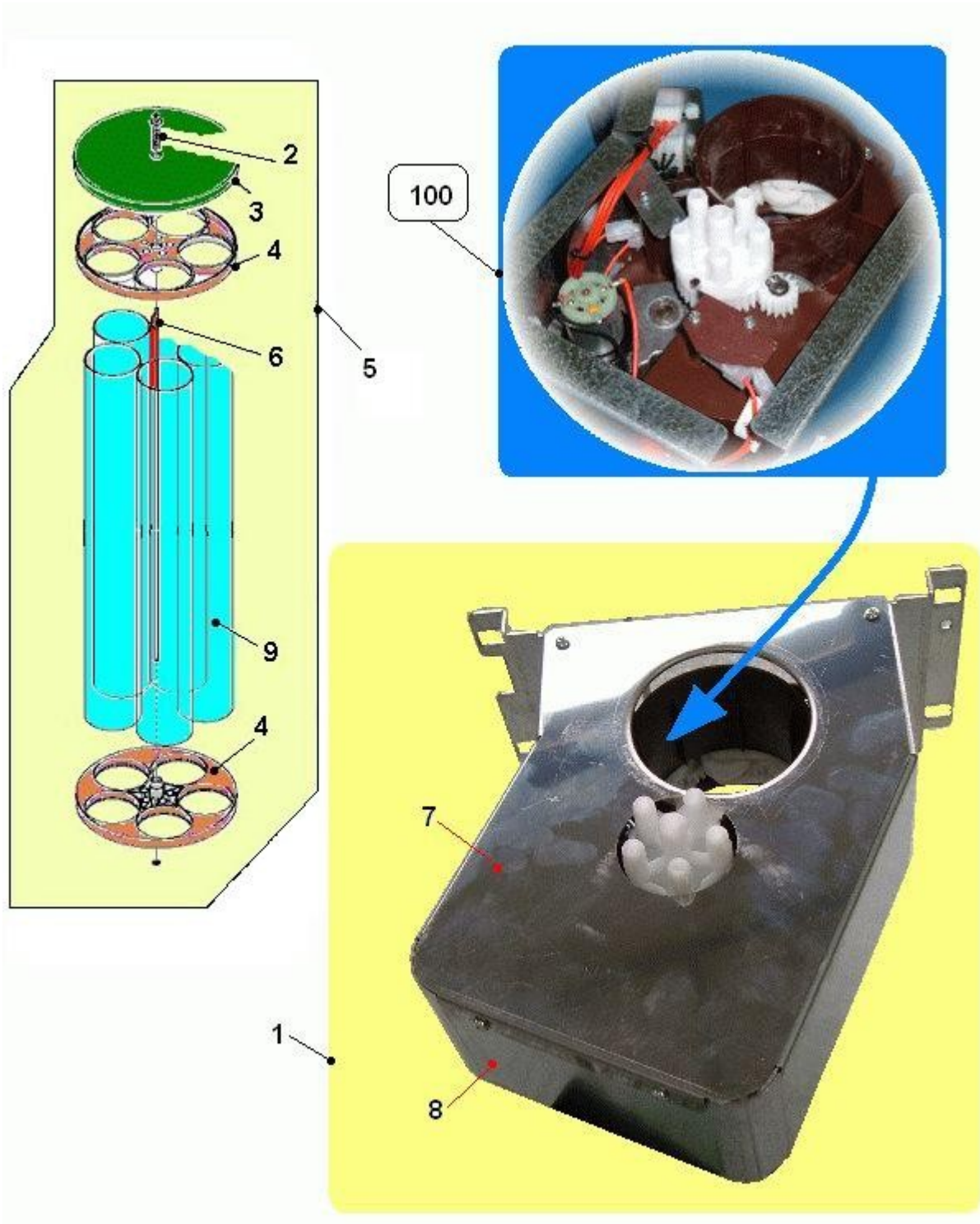
Table: SUGAR NOZZLES SUPPORT ASSY (766)



SUGAR NOZZLES SUPPORT ASSY (766) - Items detail

Position	SPARE PARTS CODE VARIANT	Accessories	DESCRIPTION	For each main Item multiply q.ty by
1	96067460		BV972 sugar nozzle supp.assy	
2	37000816		seeger ring	
3	00110823		lever's fulcrum pin	
4	00110824		electromagnet ring	
5	01519622		Antares sugar flange supp.assy	
6	20008946		24V DC 15% magnet	
7	05123715		doser lever with hole	
8	05096215		sugar pipe connection	
9	05104715-02M37		Sugar supply brown flange	
10	05137925		antares brown sugar slide	
11	05138025		brown sugar slide cover	
12	01831552		BVM952/972 nozzle support assy	
13	96032820		Ant.sugar supply support assy	
14	05096035		brown straight dispensing nozz	
15	05099615		nozzle bush	
16	05099715-01		L=48 nozzle	
17	05089825		brown elbow dispensing nozzle	
18	07016911		sugar doser spring	
19	05123015M37		BROWN SUGAR NOZZLE	
20	09027653		20x26 PVC pipe	
100	See Table "NOZZLES SUPPORT PARTS (603)" - Pag. 78			

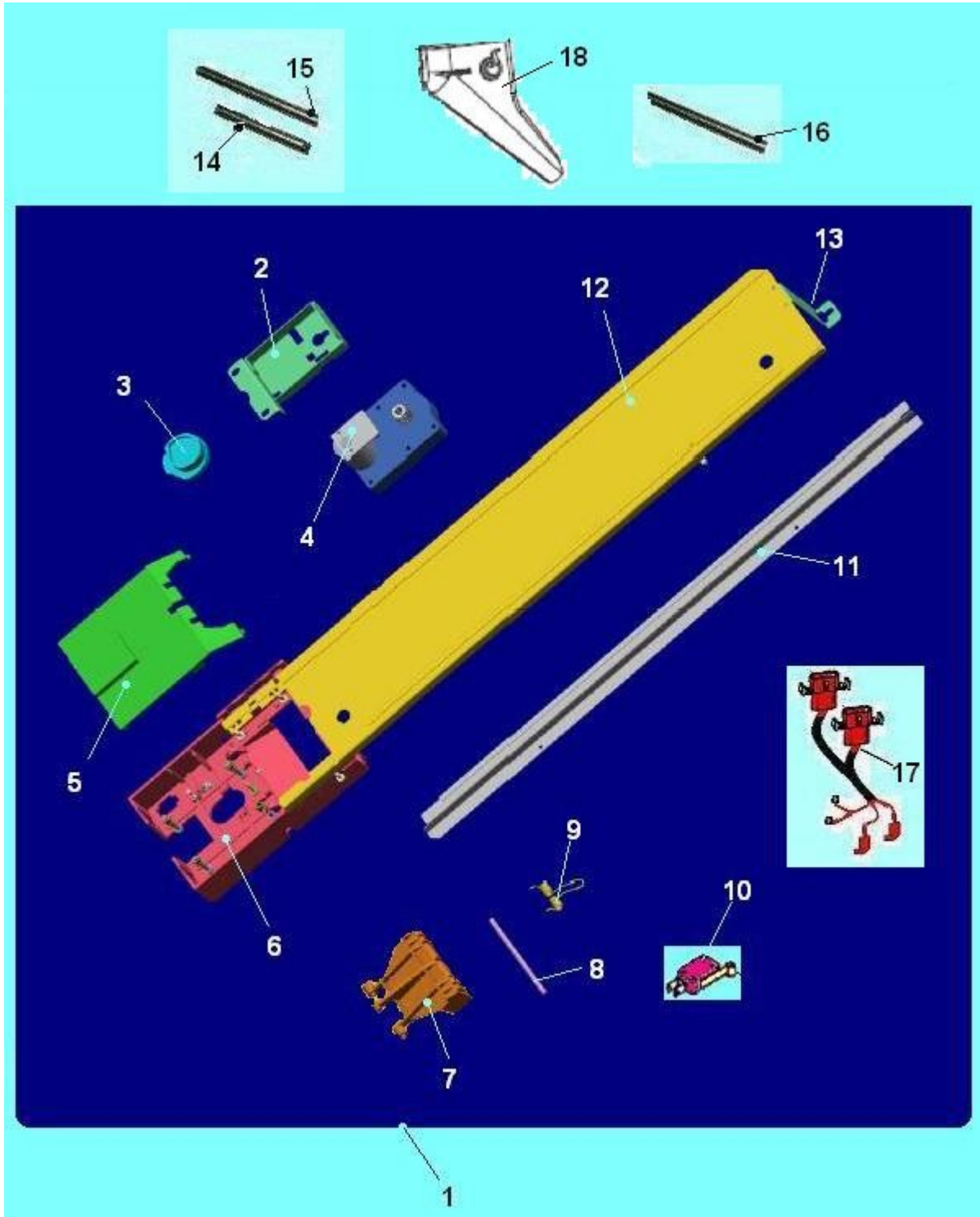
Table: CUPS TURRET ASSY AND CUPS DISPENSER (769)



CUPS TURRET ASSY AND CUPS DISPENSER (769) - Items detail

Position	SPARE PARTS CODE VARIANT	Accessories	DESCRIPTION	For each main Item multiply q.ty by
1	28011130-02		BV971 cup disp.assy	
2	07020711		spring	
3	05146115M37		Brown cups turret cover	
4	05135615M37		cup dispenser disk brown	
5	28006940		cups turret assembly ant.	
6	19059321		Antares cups turret brace	
7	01826731-02		COPERTURA SGANCIATORE BV971IVS	
8	01826631-01		Cup dispenser frame	
9	09094121		75x77 PVC transp.pipe	
100	See Table "CUPS DISPENSER PARTS (628)" - Pag. 80			

Table: SPOON DISPENSER PARTS (770)



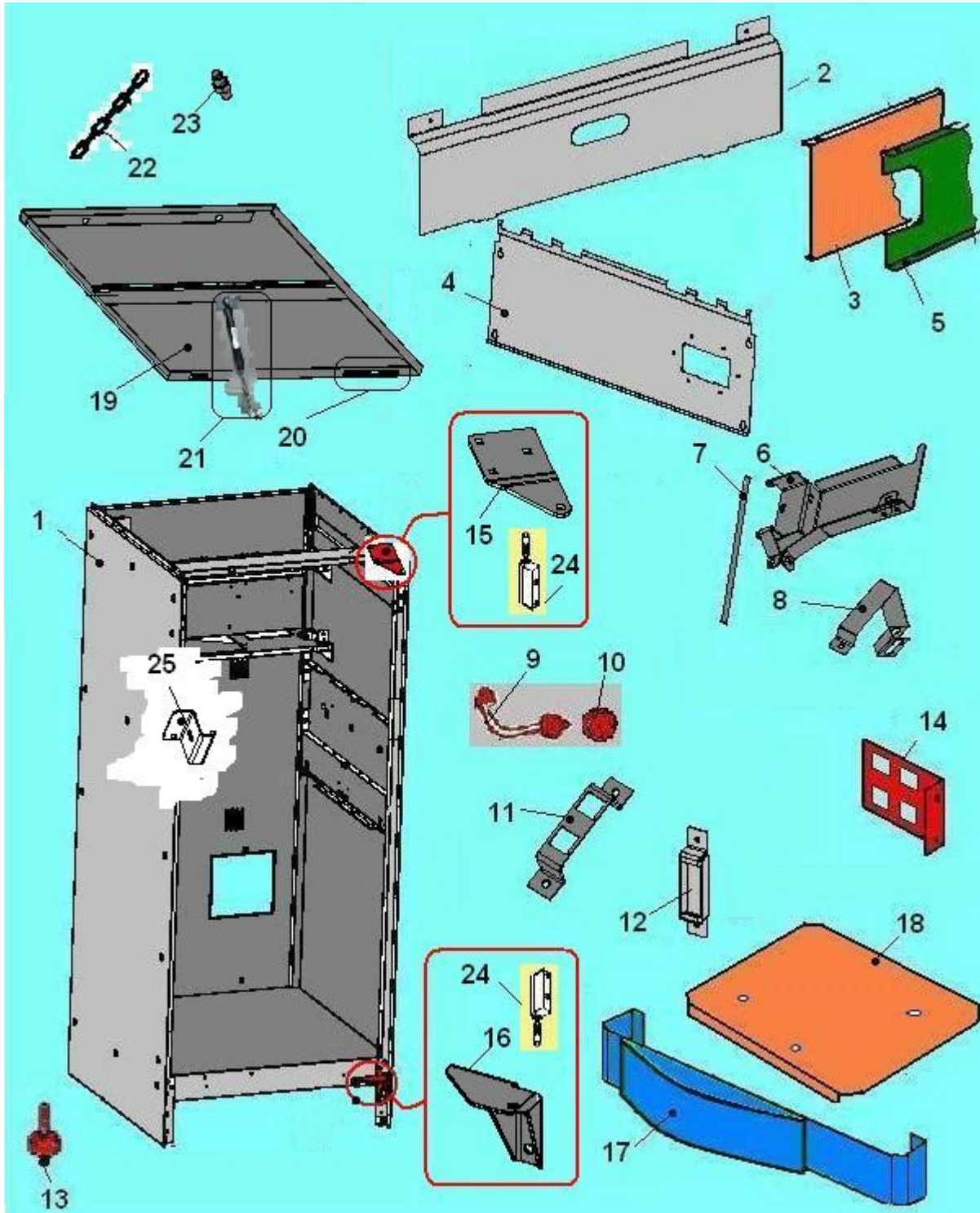
SPOON DISPENSER PARTS (770) - Items detail

Position	SPARE PARTS CODE VARIANT	Accessories	DESCRIPTION	For each main item multiply q.ty by
1	91007330-01		BV952 L=90-105 spoon disp.assy	
2	01839912		IVS spoon disp.frame w/inserts	
3	05241515M00		Spoon dispenser moving cam	
4	20020916		24V Dc spoon disp.gearmotor	
5	05241615M09		Black spoon box cover	
6	05241315M09		Black spoon box	
7	05149015-01M37		Spoons ejector brown for iris	
8	19059811-01		Iris spoons ejector shaft	
9	07021731		Cup disp.90/105foot spring 1,3	
10	26029626		microswitch(proof)	
11	01837821-01		BV951 L=90 spoon disp. spacer	
12	01837721-01		BV951 spoon dispenser L=90-105	
13	01839821		BV952 spoon dispenser support	
14	12004611-01		Metal weight for spoons 90mm	
15	12013611-02		Metal weight for spoons 105mm	
16	12047111		spoons ejection tube	
17	22180112		BV951/71 pls spoon disp.90/105	
18	05241415-01M00		BV951 RT spoon dispens. slide	

Tables of group :

-  **Coffee Machines**
 -  **BVM 952 - Free Standing**
 -  **BV952ES01GG - BVM952 E4S MC PD**
 -  **CABINET**

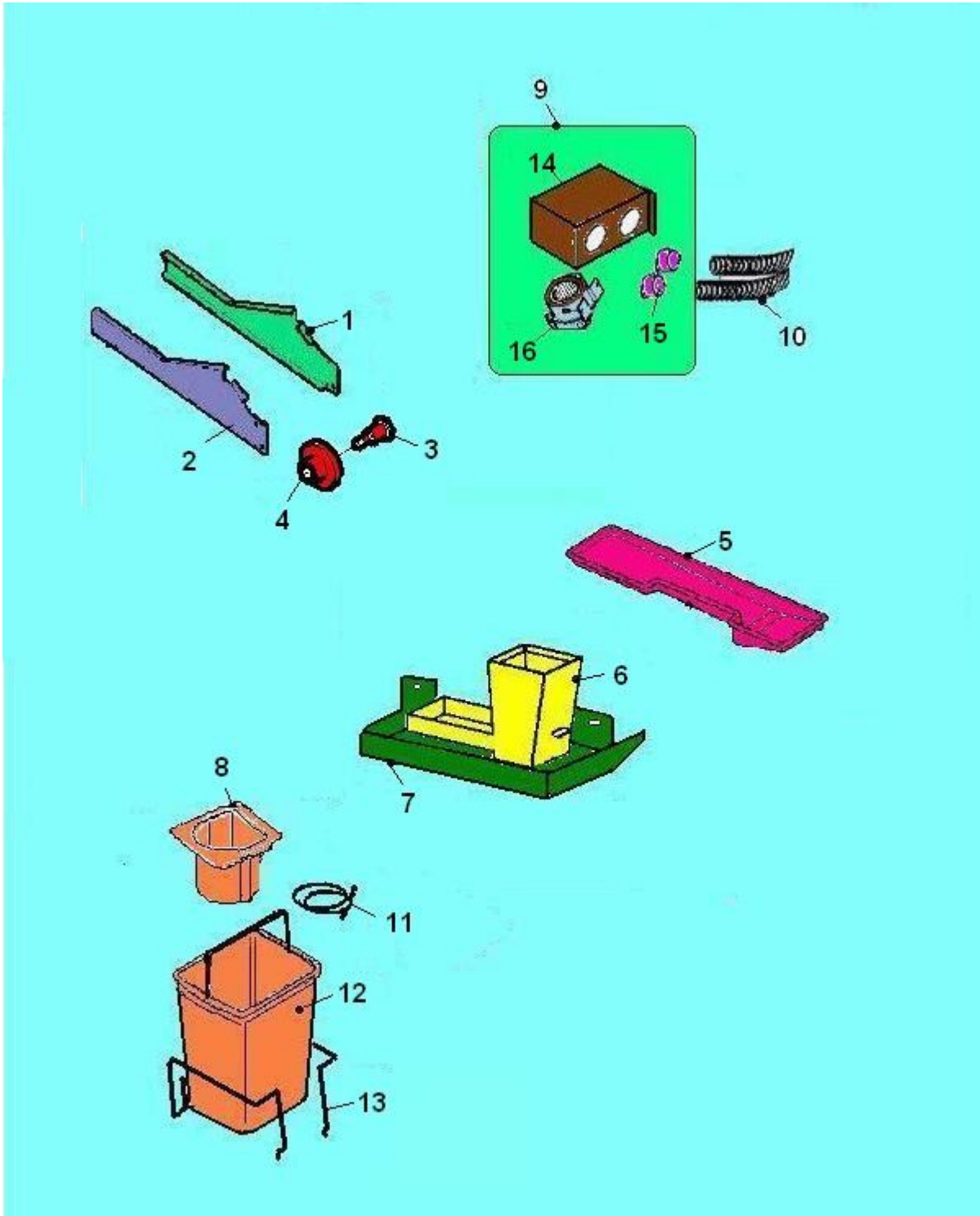
Table: CABINET AND PARTS (771)



CABINET AND PARTS (771) - Items detail

Position	SPARE PARTS CODE VARIANT	Accessories	DESCRIPTION	For each main item multiply q.ty by
1	01852322P48		BVM952 graphite cabinet assy	
2	01854111-01		BV952 switch box cover	
3	01834211-01		Drawer support left cover	
4	01854312		Ex.BV952 backward cover assy	
5	01828211		Drawer support right cover	
6	01835012		Sugar nozzle rotation supp.as.	
7	12017611		cup disp.rotation pin	
8	01834511-01		Drain pipes guide	
9	26019482		service button	
10	05232315M18		red changegiver button	
11	01641411		ANT-IMQ service button support	
12	01844011		Switch support	
13	21057212		foot.assy (m10x40) - -bvm971	
14	01828411-01		BV971 IVS connectors plate	
15	01864411		BV952 upper hinge sheet	
16	01823011-01		BVM971 IVS lower hinge	
17	01831112-01		BV971 IVS skirting board assy	
18	01841911P54		BV 971 IVS base protection	
19	01853122P48		BVM952 roof assy	
20	21013731		coin mech support hinge	
21	12047916		BV952 VAPSINT gas spring	
22	21015816		Chainlet assy	
23	19117016-01		BVM952 roof pin	
24	21011042		BV971 IVS hinge guide assy	
25	01828111-01		BV971 IVS lock hinge	

Table: CABINET SUPPLEMENT PARTS (779)



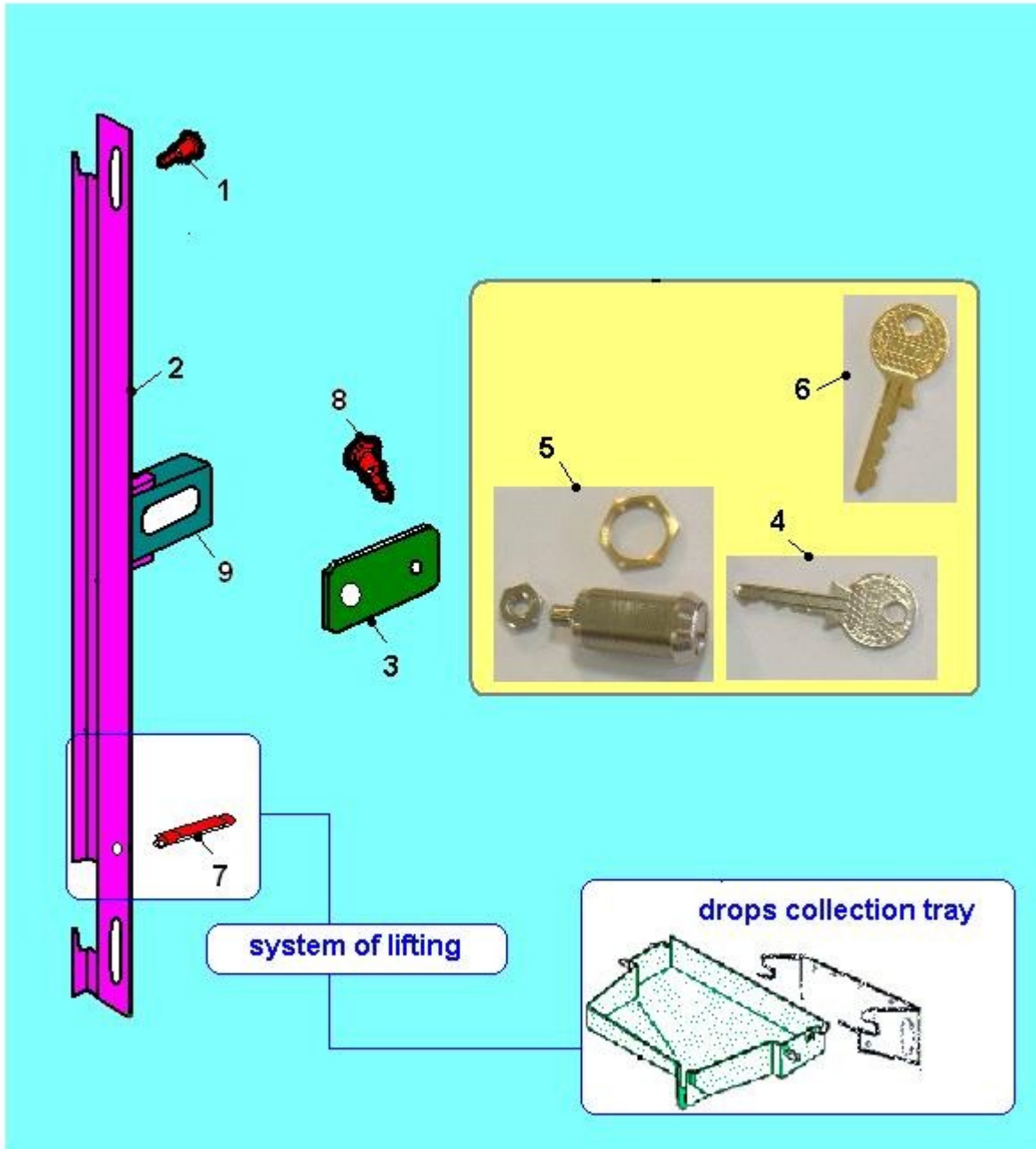
CABINET SUPPLEMENT PARTS (779) - Items detail

Position	SPARE PARTS CODE VARIANT	Accessories	DESCRIPTION	For each main item multiply q.ty by
1	01816211		BV971 IVS right tilting guide	
2	01816311		BV971 IVS left tilting guide	
3	12016116		drawer wheel pin	
4	05116416		vega drawer wheel	
5	05245615M37		BV972 brown express/instant dr	
6	05157415		iris waste coffee convoyer	
7	01828511		waste coffee box BV971 IVS	
8	05168115		waist coffe bag spring	
9	01831310		BV971 IVS aspirator assy	
10	09031113		28x33 Leviflex pipe	
11	21056016		waste coffee bag spring	
12	05137316		bucket	
13	07034411-01		Bucket spring	
14	01828711-01		BV971 IVS suction plate	
15	05071915		aspiration pipe connection	
16	20006316		aspirator (ant-sir-ori)	

Tables of group :

-  **Coffee Machines**
 -  **BVM 952 - Free Standing**
 -  **BV952ES01GG - BVM952 E4S MC PD**
 -  **DOOR**

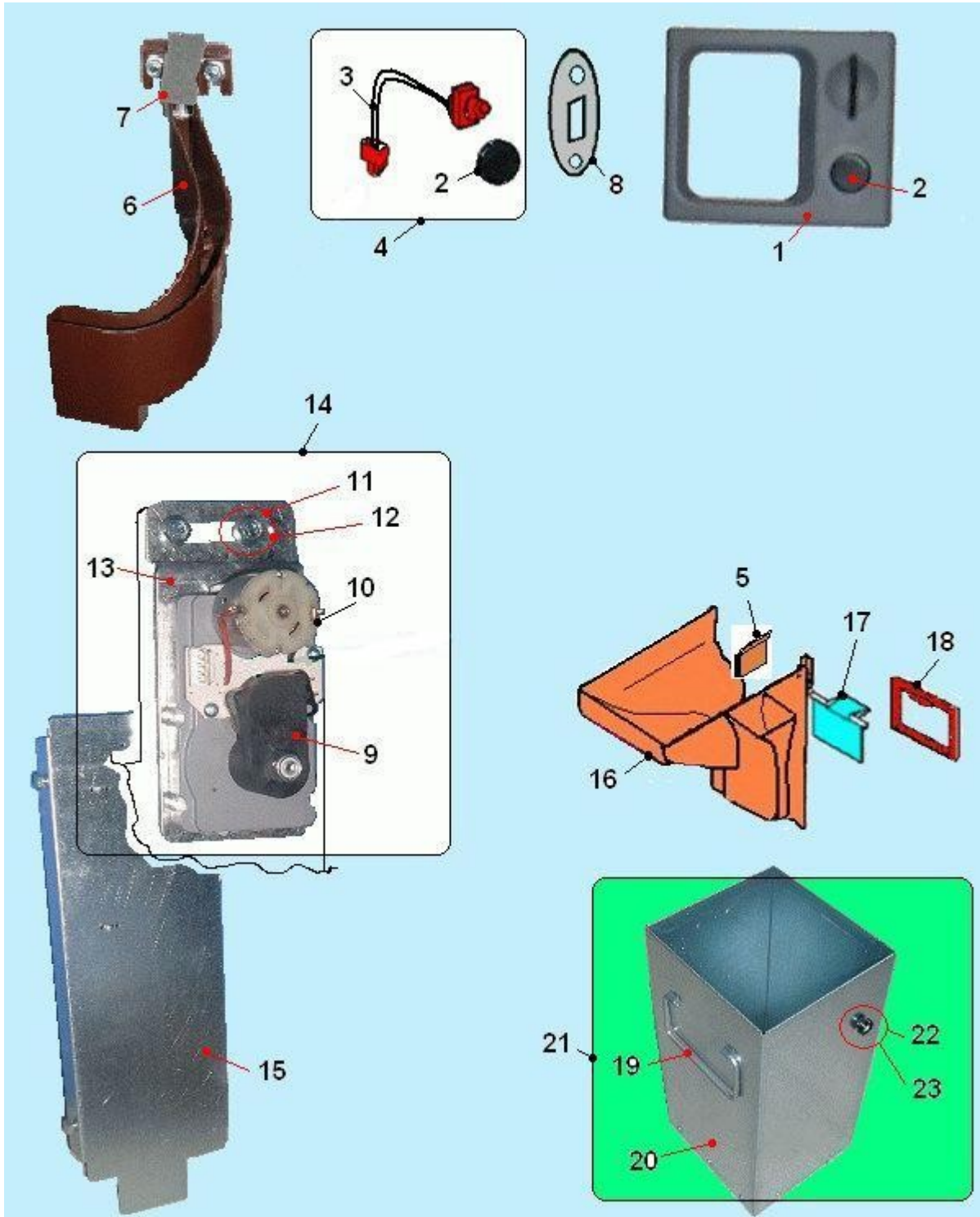
Table: LOCK (631)



LOCK (631) - Items detail

Position	SPARE PARTS CODE VARIANT	Accessories	DESCRIPTION	For each main Item multiply q.ty by
1	19055511		lock rod screw	
2	01826111		BVM971 IVS door lock rod	
3	01768221		BVM971 Rielda lock hook	
4	41029836		Rielda's lock key EMK handle	
5	41029616		Rielda standard lock	
6	43001726		Emka unblock-key	
7	05107735M37		brown drop tray knob	
8	12016116		drawer wheel pin	
9	01826211-01		BV971 rod moving plate	

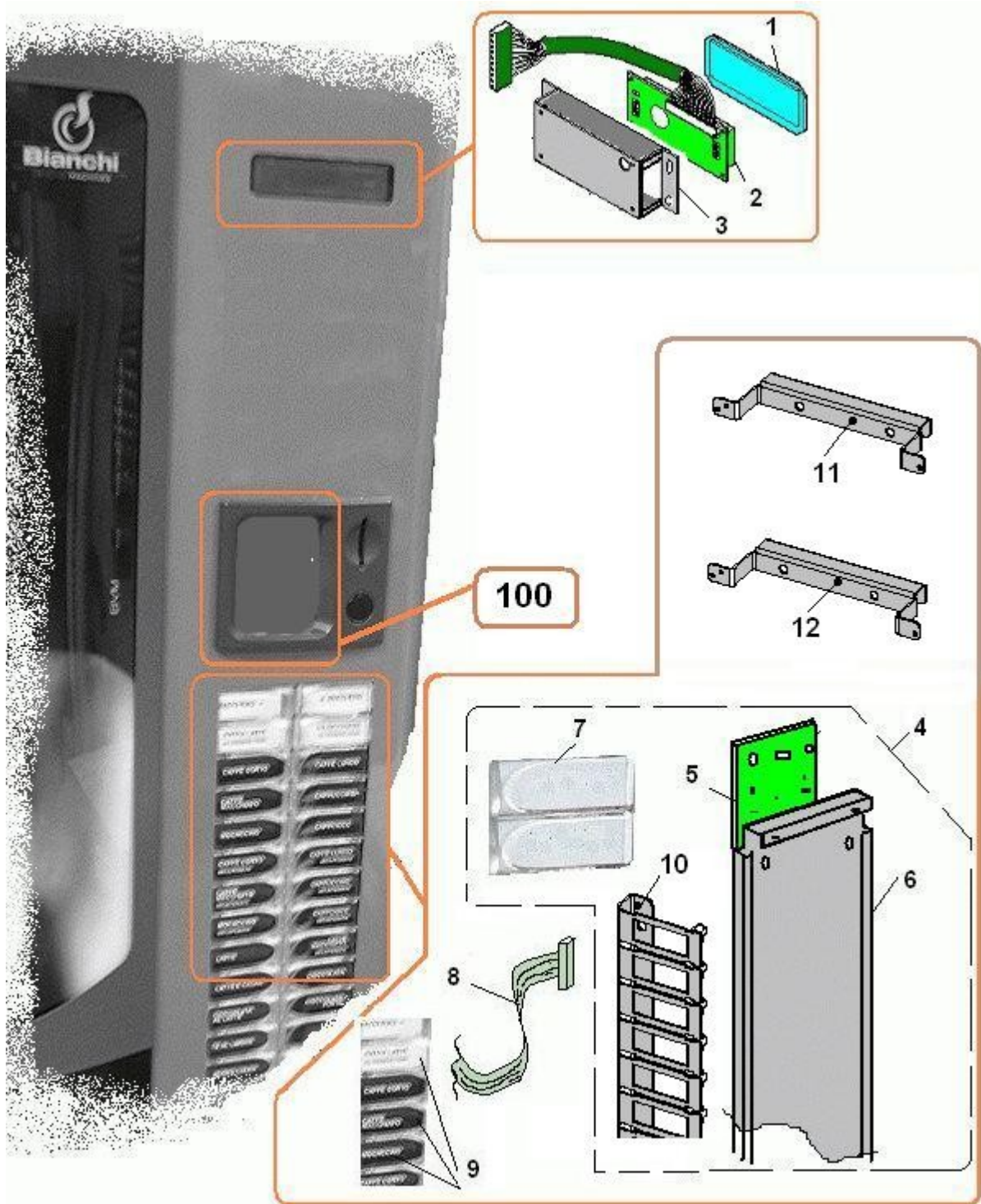
Table: COINS INTRODUCTION (647)



COINS INTRODUCTION (647) - Items detail

Position	SPARE PARTS CODE VARIANT	Accessories	DESCRIPTION	For each main item multiply q.ty by
1	05232215M30		coin introd+m/s frame graphite	
2	05232315M09		black change giver button	
3	26019492		change giver button	
4	43018810		change-giver button with cap a	
5	05118241		pipe protection profile	
6	05233515M37		Coin Introduction slide	
7	01807111		coin slide roof	
8	01796011		button support plate	
9	05192815		change giver cam	
10	20031216		change giver gearmotor	
11	32122916		M5x10 screw	
12	34115416		M5 nut with washer	
13	01799011-01		Change giver motor support	
14	96065520		coin return motor assembly	
15	01825812-01		BVM972 coin mech. support assy	
16	05233615-01M37		coin recovery channel	
17	05083115-01M30		coin recovery door - graphite	
18	05246715M30		MASCHERINA RECUPERO MONETE	
19	12028011		coin box handle	
20	01830112-02		BV971 IVS coin box assy	
21	43035810		BV971IVS coin box w/handle as.	
22	05158215		rivet bush 14*75	
23	33050196		4x7 aluminium blind rivet	

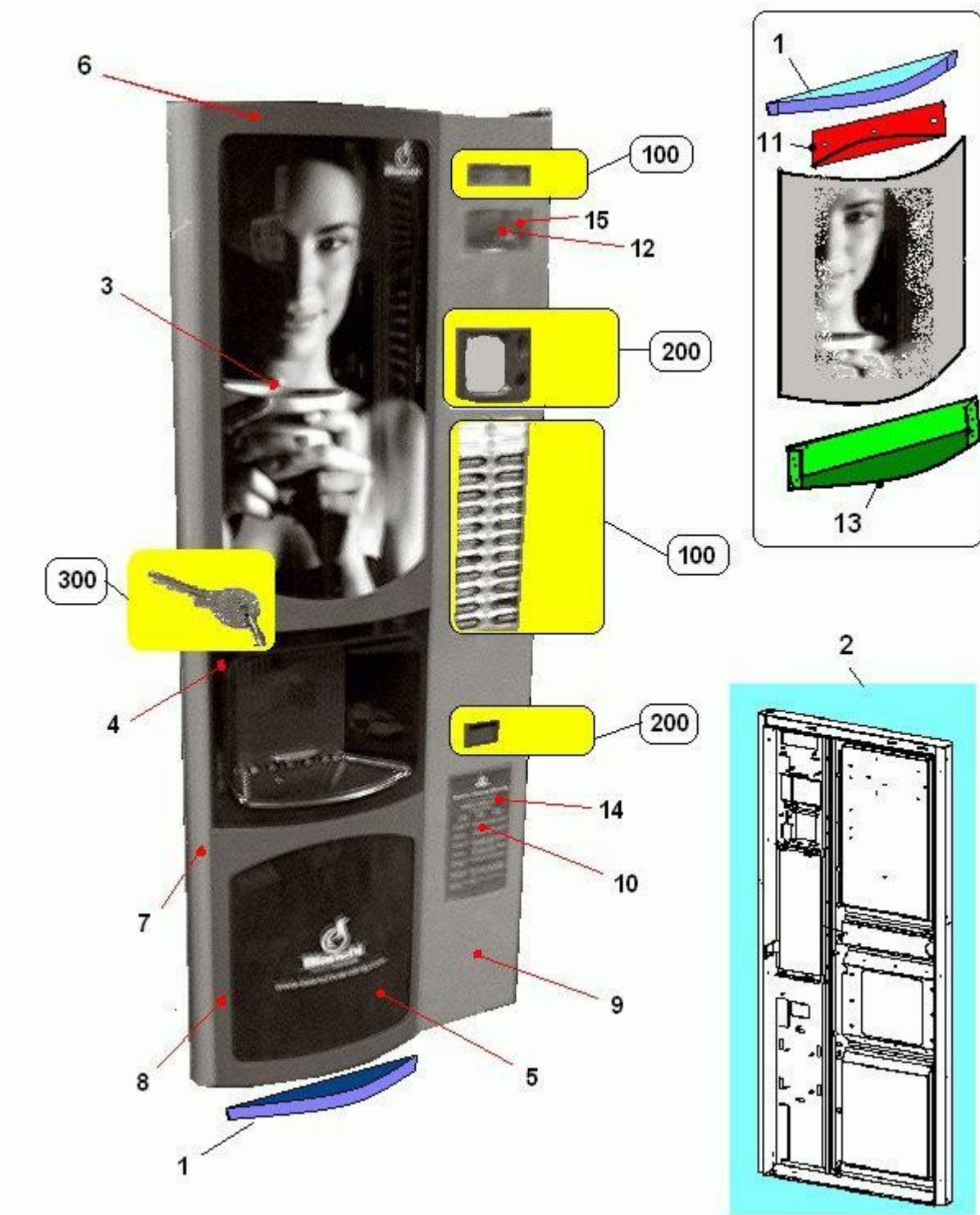
Table: KEYPAD - DISPLAY (777)



KEYPAD - DISPLAY (777) - Items detail

Position	SPARE PARTS CODE VARIANT	Accessories	DESCRIPTION	For each main item multiply q.ty by
1	05232515M00		display transp.protection	
2	26047916		NEW DISPLAY 16X2	
3	01793011-01		Display support plate	
4	26048220		keypad assy (BVM951)	
5	26048016		BVM951/971 keypad board	
6	01795112		Keypad plate assy	
7	05232415M00		selection button	
8	22175422		16pins flat cable 900mm	
9	30262811		selection labels BVM951/971	
10	01793711		Buttons support plate	
11	01827011		BV971IVS upper keypad support	
12	01827111		BV971IVS lower keypad support	
100	See Table "COINS INTRODUCTION (647)" - Pag. 65			

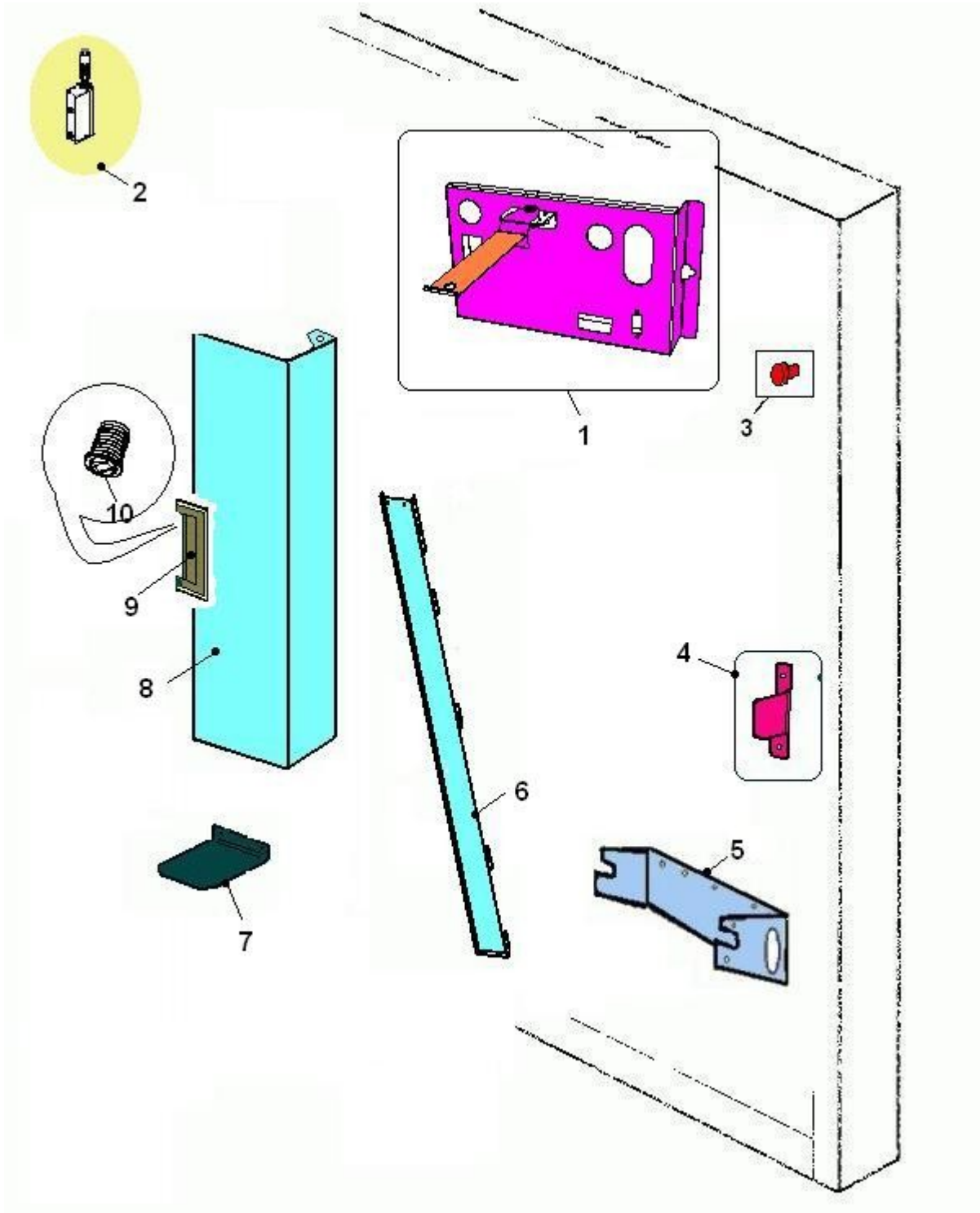
Table: DOOR EXTERNAL COMPONENTS (778)



DOOR EXTERNAL COMPONENTS (778) - Items detail

Position	SPARE PARTS CODE VARIANT	Accessories	DESCRIPTION	For each main Item multiply q.ty by
1	01785411-02L30		higher lexan frame cover graph	
2	01855222		BVM952 door frame assy	
3	05245011		LEXAN SERIGRAF. BV952 SUP.	
4	05231915M09		black cup station window hole	
5	05232111		lower serigr. lexan	
6	01785321L30		BV952 upper graph.lexan frame	
7	01856211P54		BV952 IX lock side cover	
8	01785711L30		lower lexan frame graphite	
9	01856311-01P54		BV952 IX hinge side cover	
10	05232625M00		transp.info panel h=230 BVM951	
11	01804811		Lexan fixing plate	
12	05233715M00		transp.info upper panel BVM951	
13	01785511-02L30		base for lexan frame graphite	
14	30263821		black panel lower showcase BVM	
15	30263811		black panel upper showcase BVM	
100	See Table "KEYPAD - DISPLAY (777)" - Pag. 67			
200	See Table "COINS INTRODUCTION (647)" - Pag. 65			
300	See Table "LOCK (631)" - Pag. 63			

Table: DOOR INTERNAL COMPONENTS (780)



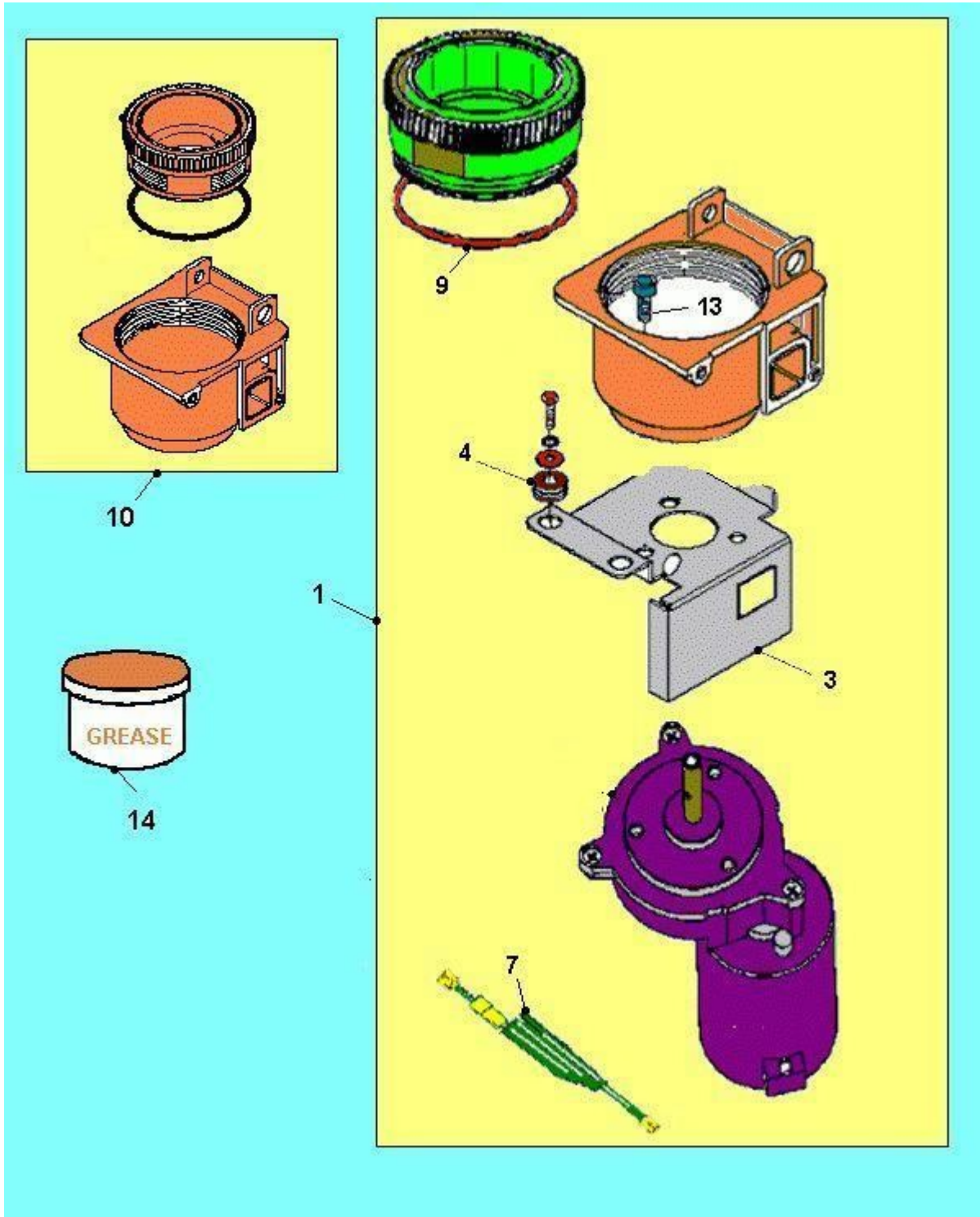
DOOR INTERNAL COMPONENTS (780) - Items detail

Position	SPARE PARTS CODE VARIANT	Accessories	DESCRIPTION	For each main Item multiply q.ty by
1	01813012-01		CPU board cover assy	
2	21011042		BV971 IVS hinge guide assy	
3	00104883		rubber buffer	
4	01827311-01		BV971 switch plate	
5	01452011-01		Dispencing chamber tanksupport	
6	01856011		BV952 pay system cover stirrup	
7	01826411-01		Payment system bottom protect.	
8	01856111		BV952 pay system cover	
9	05238516		PLASTIC HANDLE SOUTHCO BV971	
10	20022316		Cup container door round magne	

Tables of group :

 **Other tables**

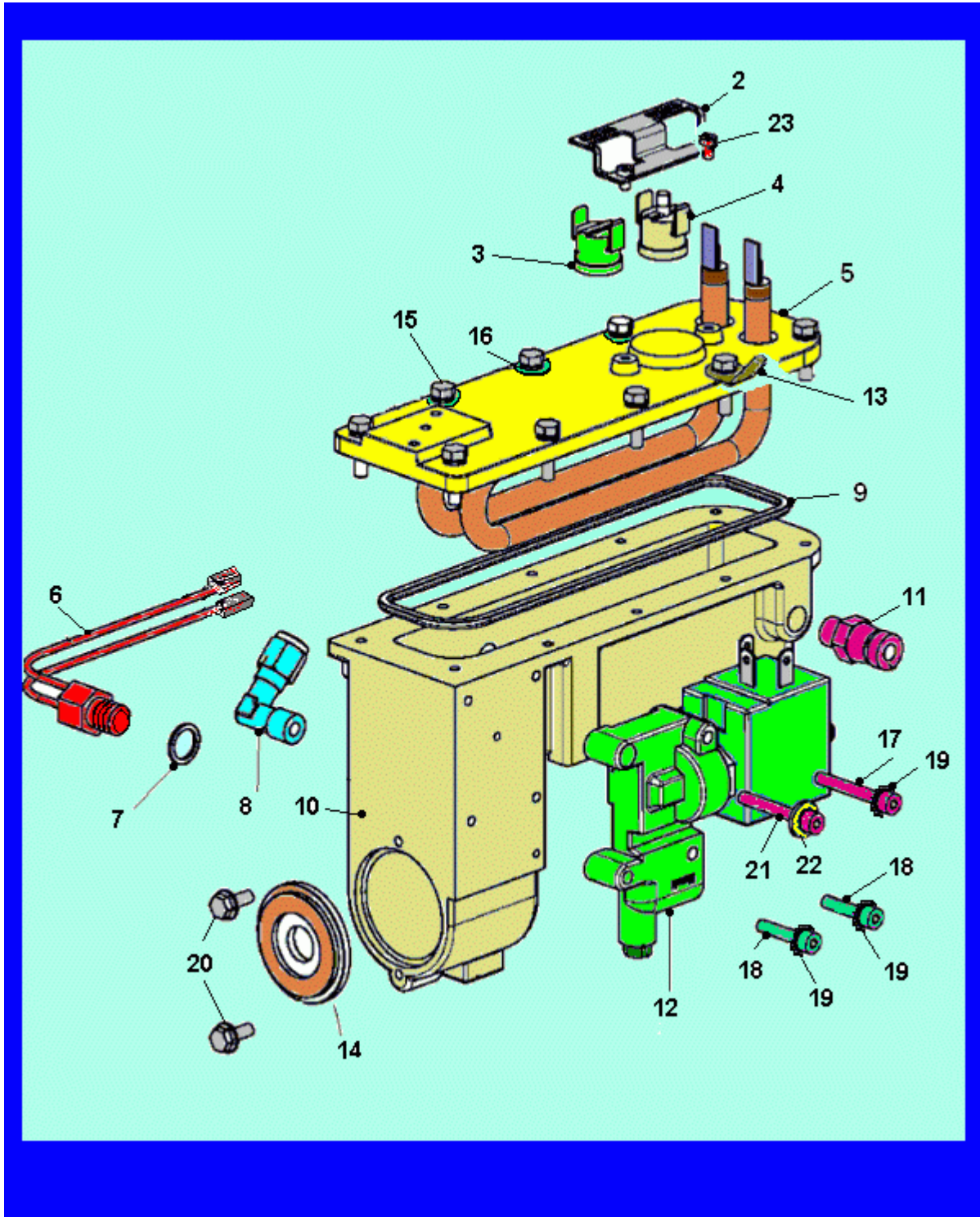
Table: VERTICAL GRINDER ASSEMBLY(30)



VERTICAL GRINDER ASSEMBLY(30) - Items detail

Position	SPARE PARTS CODE VARIANT	Accessories	DESCRIPTION	For each main Item multiply q.ty by
1	41038520		new grinder assy 24VDC ametek	
3	01586921		Grinder Ametek support	
4	23004086		cable damper(6*15 - rubber)	
7	22126622		AMETEK FAST 4,8 grinder motor	
9	36211316		O-ring 3262 NBR 70 SH	
10	43018910		grinder chamber assy	
13	32135316		MA6X12 cross-headed embedded h	
14	43028311		40g food grease	

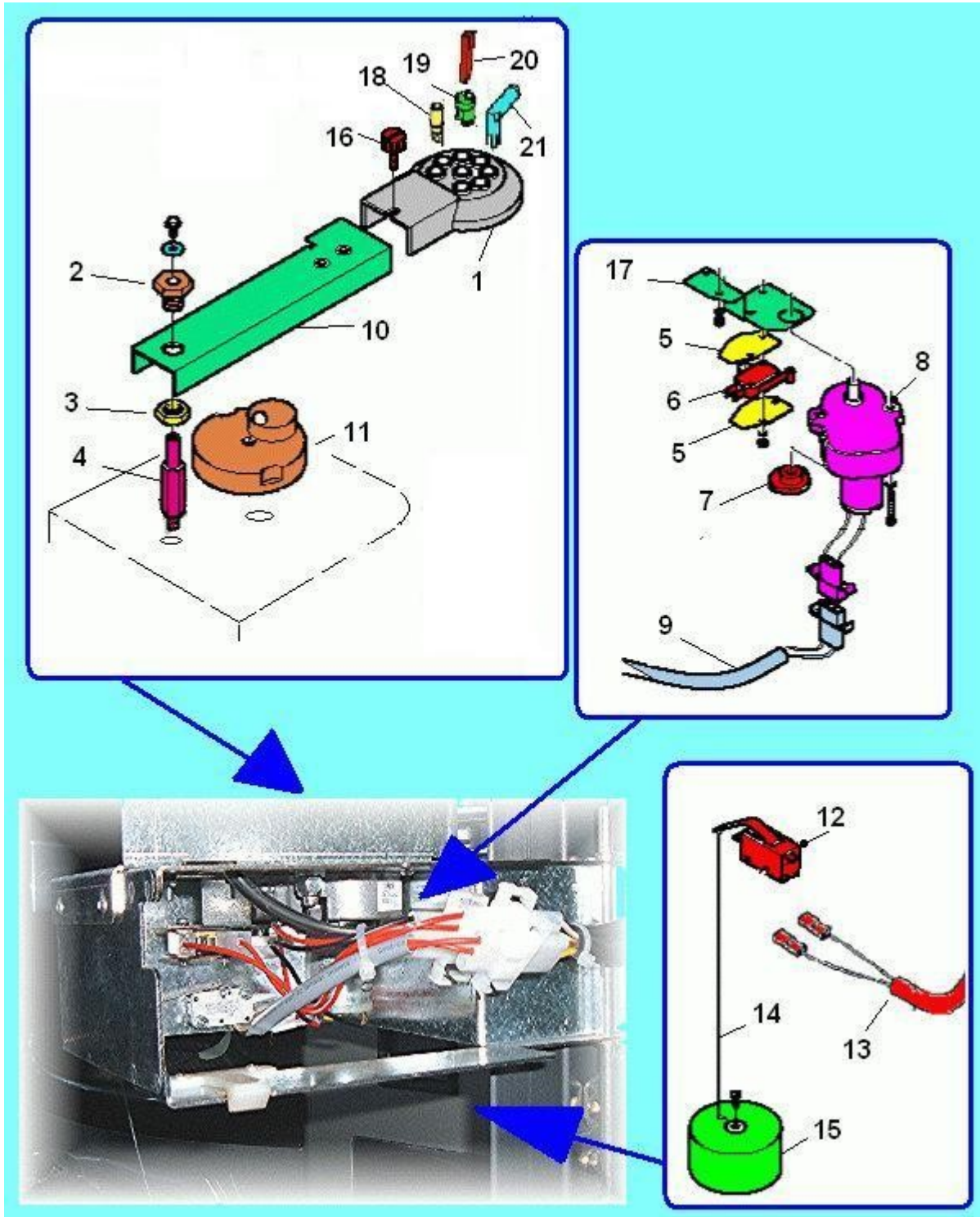
Table: ESPRESSO BOILER COMPONENTS (599)



ESPRESSO BOILER COMPONENTS (599) - Items detail

Position	SPARE PARTS CODE VARIANT	Accessories	DESCRIPTION	For each main item multiply q. ty by
2	01599411-01		Thermoregulator spring	
3	25020516		automatic recharge clixon110°	
4	25020616-01		manual recharge clixon (135°)	
5	29004312-01		new heating element assy(inox)	
6	26050826		sens. temp. w/connector (inox)	
7	18002516		copper gasket	
8	04035326		elbow connection	
9	05143815		boiler gasket	
10	13008011		espresso boiler body	
11	04040316		drain valve	
12	25020856		3ways elect. valve24Vdc(0-7,5b)	
13	23020626		male tab	
14	18007011		piston stop washer OT58	
15	32055536		TCEI 4MAX16 screw	
16	35153426		washer	
17	32068216		4MAX30 screw	
18	32067916		TCEI 4MAX20 screw	
19	35160316		d. 4,2 IX self locking washer	
20	32050516		screw 4 MAX10	
21	32068116		TCEI 4MAX25 screw	
22	35157616		plain washer Ø.4,3 ac.	
23	32025116		TC 3MAX5 screw	

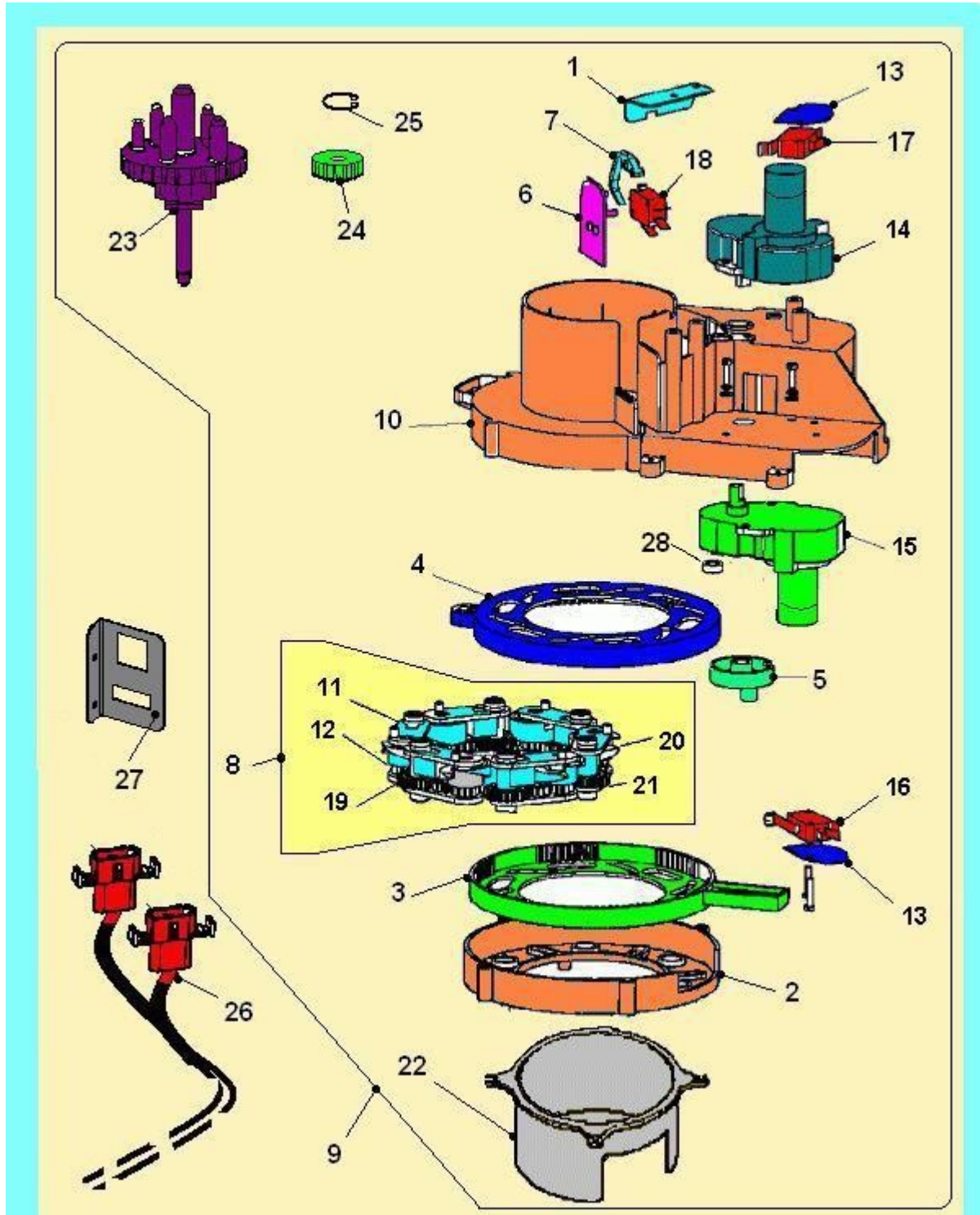
Table: NOZZLES SUPPORT PARTS (603)



NOZZLES SUPPORT PARTS (603) - Items detail

Position	SPARE PARTS CODE VARIANT	Accessories	DESCRIPTION	For each main item multiply q.ty by
1	05089925-01M37		8 pos.nozzles supp.flange PA66	
2	19057411		nozzle arm bush	
3	04014111		hexagonal nut 1/4GAS	
4	19057311-04		Antares nozzle arm pin	
5	08004111		microswitch insulation	
6	26005126		microswitch with wheel	
7	05110715		orion micro cam	
8	20018816-01		MOTORID.24VBIALBERO 2,2nF 100V	
9	22111312		nozzle support cable low volt.	
10	01509811-01		Antares nozzles arm support	
11	05089715M37		nozzle drive cam brown	
12	26013726		too full microswitch	
13	22130312		orion GP micro floater cable	
14	22021116		0,80 nylon wire	
15	05074412		floater assembly	
16	19043521		fixing knob	
17	01630011-01		micro support	
18	05096035		brown straight dispensing nozz	
19	05099615		nozzle bush	
20	05099715-01		L=48 nozzle	
21	05089825		brown elbow dispensing nozzle	

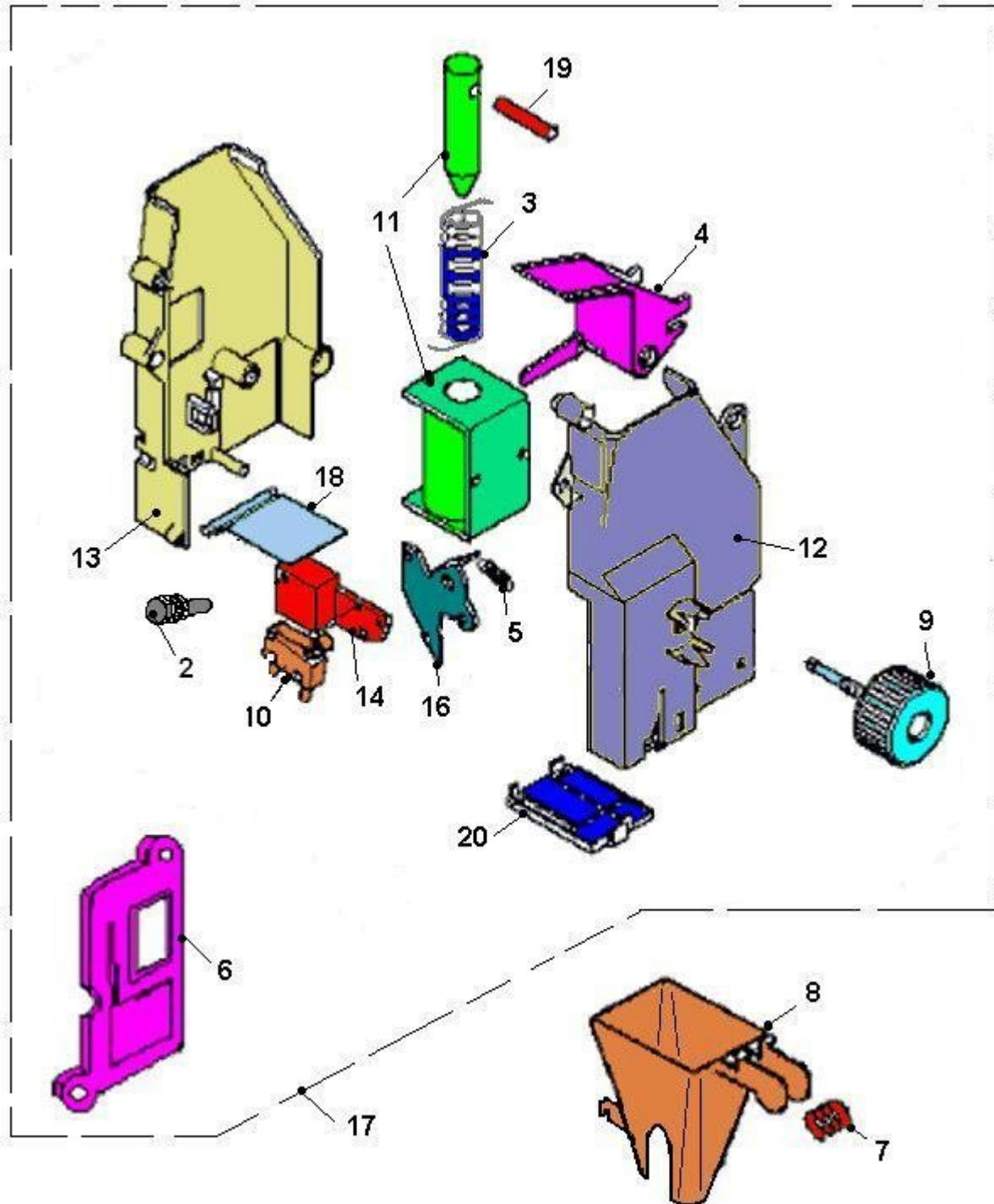
Table: CUPS DISPENSER PARTS (628)



CUPS DISPENSER PARTS (628) - Items detail

Position	SPARE PARTS CODE VARIANT	Accessories	DESCRIPTION	For each main item multiply q.ty by
1	01576411		microswitch support bracket	
2	05120615M37		cupdispencer lower cover brown	
3	05120815M37		cups ejecting ring brown	
4	05120915M37		cup diam.regulation ring brown	
5	05121115		ring movement cam	
6	05121215-01M37		Cup dispen.microswitch supp.br	
7	05121315-02		cup presence sensor	
8	05131010		cup dispenser starer	
9	28007110		OR-SI-ANT cup dispenser assy	
10	05140115M37		upper cover c/pop brown	
11	05121915		upper cochlea support	
12	05121715		cup disp. Neutal pinion	
13	08004111		microswitch insulation	
14	20018416-01		24VDC 12RPM 2,2nF 100V gearmot	
15	20019316-01		24V DC gearmotor (NEW)	
16	26005136		microswitch with wheel	
17	26005156		micro with lever	
18	26017016		micro without lever 10gr-	
19	05121515		cup dispencer cochlea	
20	05121615		cup dispencer cochlea movem.pi	
21	05121815		lower cochlea support	
22	05121015		pegaso funnel	
23	05136015		cam for cup turret rotation	
24	05136115		cup dispenser motor pinion	
25	37003116		ring	
26	22178612		BV970IVS cup dispenser wiring	
27	01826811		Cup dispenser connector plate	
28	05136215		bush	

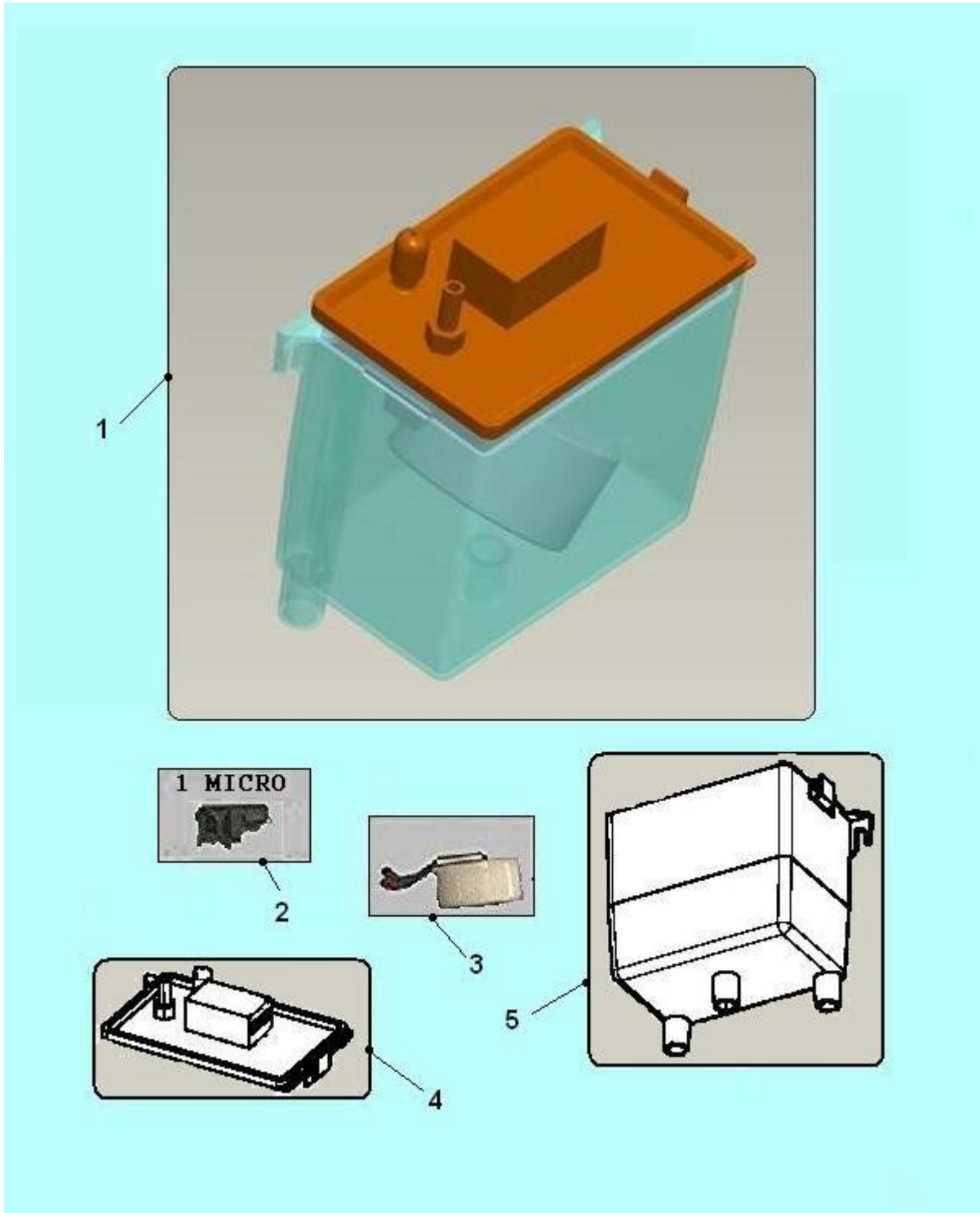
Table: COFFEE DOSER ASSEMBLY (773)



COFFEE DOSER ASSEMBLY (773) - Items detail

Position	SPARE PARTS CODE VARIANT	Accessories	DESCRIPTION	For each main Item multiply q.ty by
2	19058911		adjusting screw for micro	
3	07020511-01		magnet spring	
4	05135115-01		coffee doser tray	
5	07020611		spring	
6	05155615-01		spacer	
7	07020911		coffee funnel spring	
8	05135415		plastic coffee doser	
9	05135215		dose adjustment knob	
10	26029616		microswitch with cable(proof)	
11	20019146-01		magnet 5% 24v dc	
12	05134815		Doser front cover	
13	05134925		Doser rear cover	
14	05154615		micro. coffee-dos. support	
16	01586212		micro support	
17	43002410-01		doser assy with spacer	
18	05135315		coffee doser mobile wall	
19	33051716		4x25 IX parallel pin	
20	05135025		top cover for doser	

Table: AIR BREAK ASSY W/MICRO SW (784)



AIR BREAK ASSY W/MICRO SW (784) - Items detail

Position	SPARE PARTS CODE VARIANT	Accessories	DESCRIPTION	For each main item multiply q.ty by
1	93012030		air break assy w/micro SW	
2	43025216		Micro SW1 plate X 9301203	
3	43000916		floater+support for 93012010ai	
4	43001016-01		Water tray cover with joint	
5	43001116		tank for 93012010 airbreak	